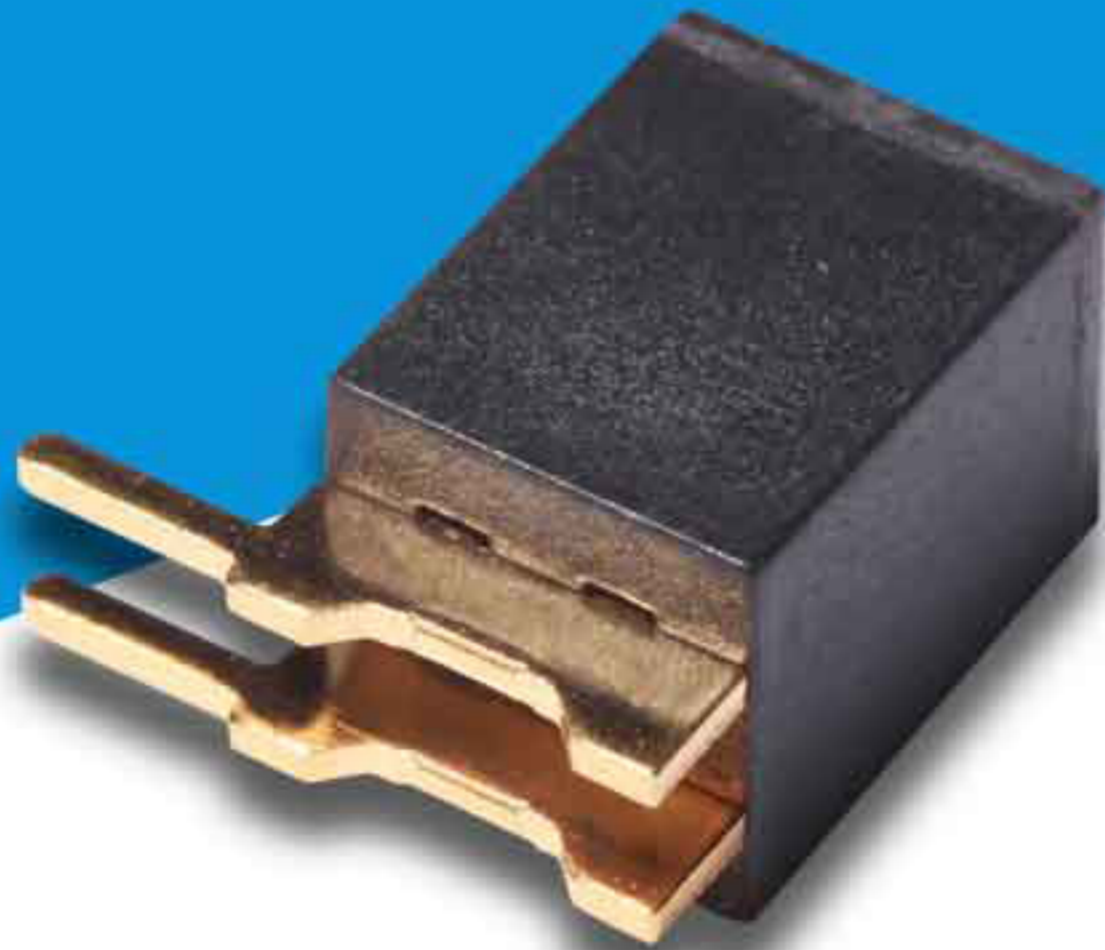


Multi-directional angle sensor switch

BL-668 Series



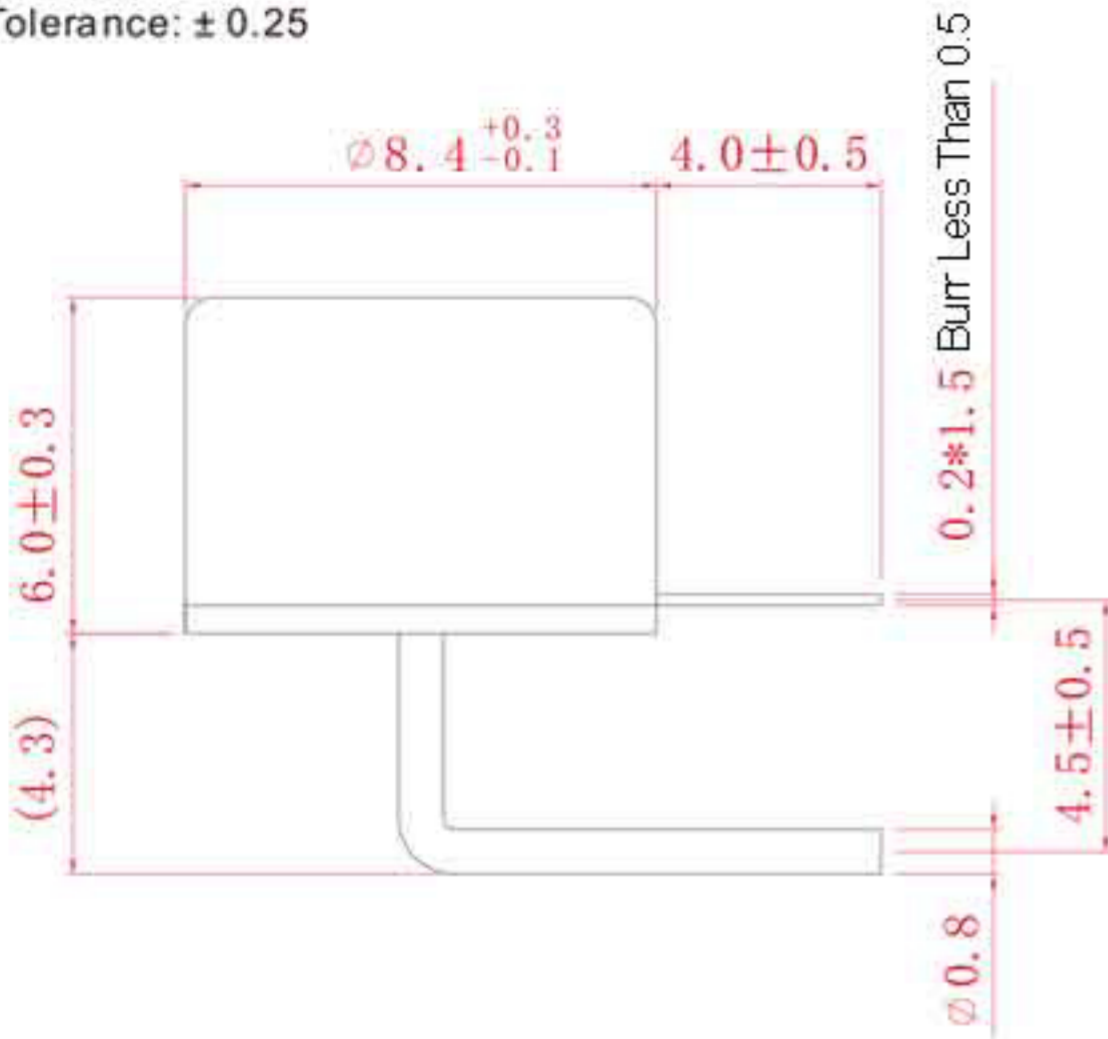
Product Name	Model	Features	Contact Type
Ball Switch	BL-668F	Tilt Detection	Tilt Trigger In All Directions

Product Parameters

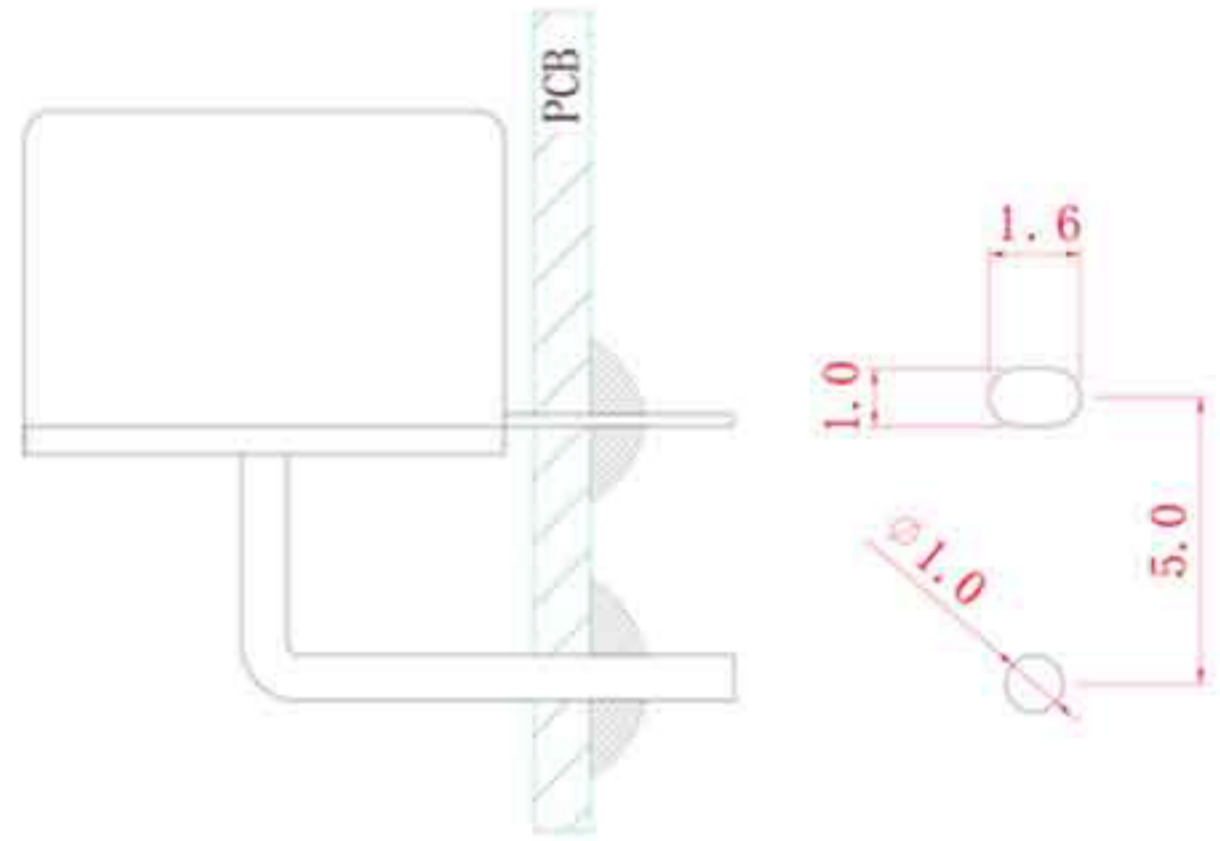
■ SIZE

Unit=mm

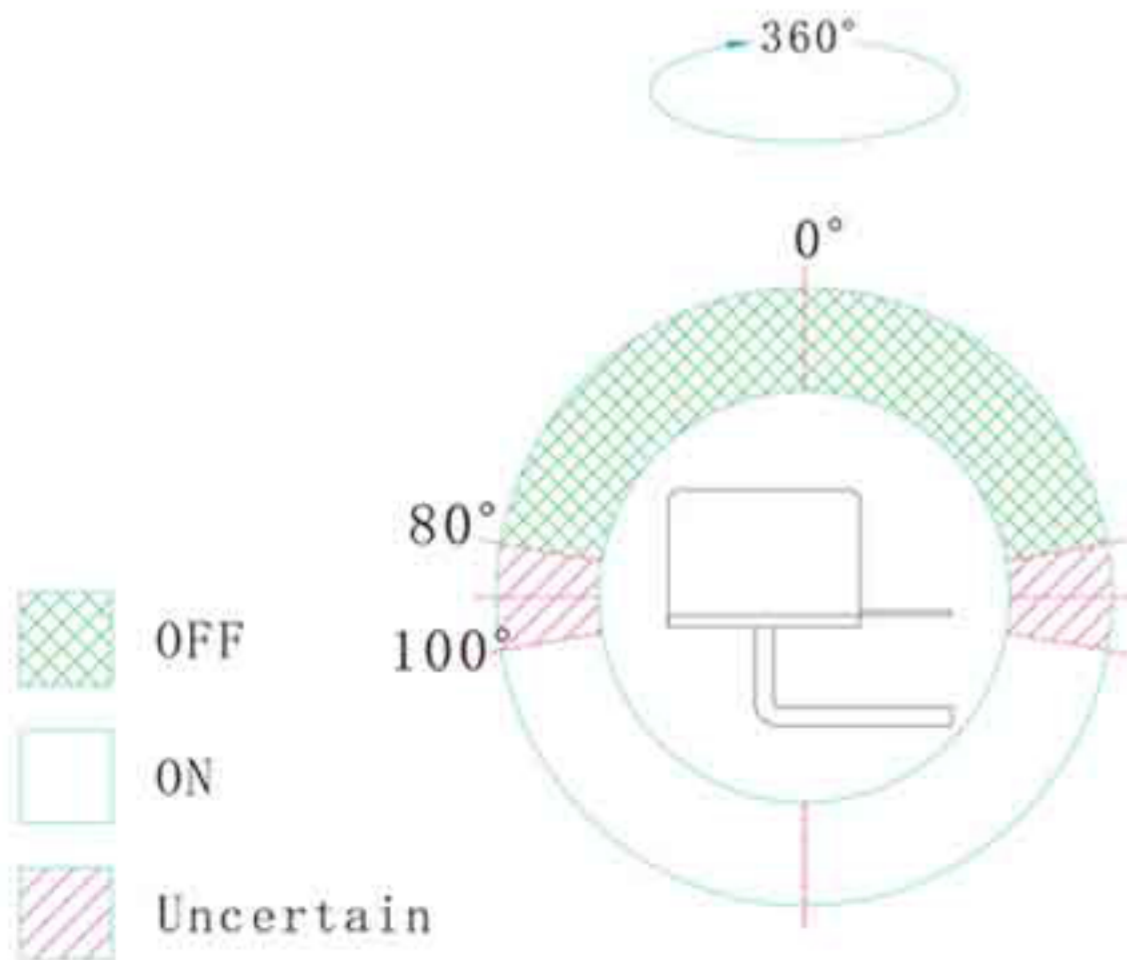
Tolerance: ± 0.25



Stitch Misalignment ± 1.5



PCB Solder Pin Holes



Copper Cap: Brass, Silver-Plated

Insulation Ring: Temperature Resistance

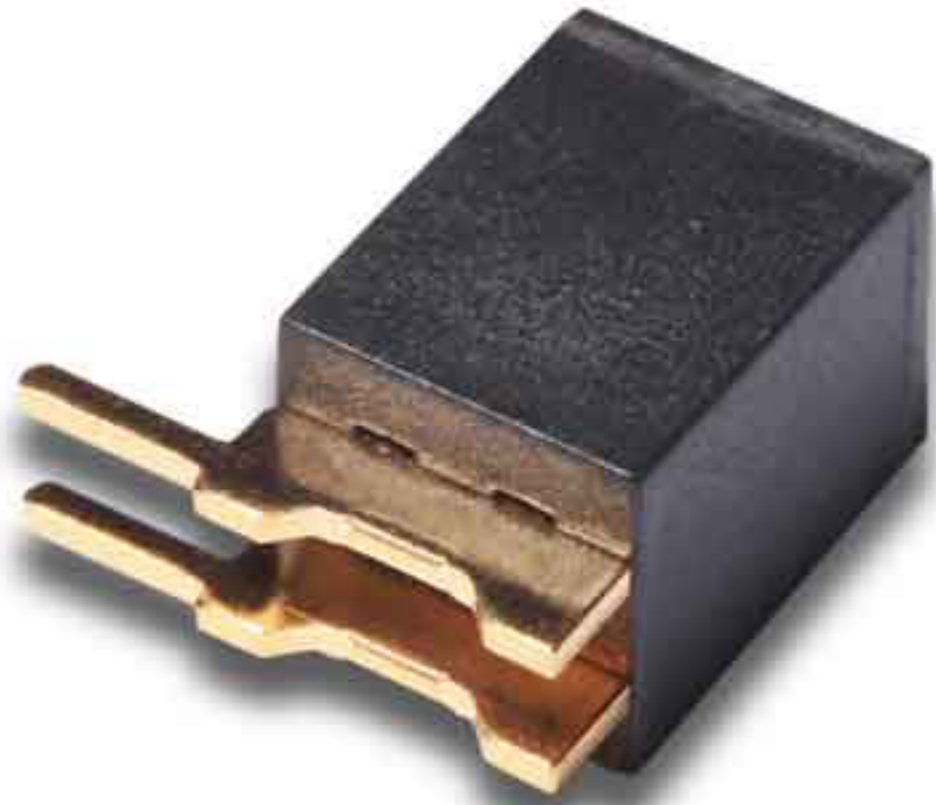
Nylon

Guide Cup: Brass, Silver-Plated

Ball: Brass/Steel, Silver-Plated

Operating Life: 100000 Times

Product Feature



BL-108H Is A Ball Type Tilt Sensor Switch

- ▶ Voltage: 1-6V
- ▶ Electric Current: <20mA
- ▶ On Time: About 2ms
- ▶ Closed Circuit Resistance: <30 Ohm
- ▶ Open Circuit Resistance: >10 Ohm
- ▶ Temperature Resistance: -40°C to 80°C
- ▶ Terminal Tension: 500gf For 1 Minute
- ▶ Humidity: 95% RH, 40°C For 24 Hours

▶▶ Typical Application



Digital Photo
Frame Rotation



Automation Device



Household Appliances