

# Photoelectric Angle sensing switch

BL-1350

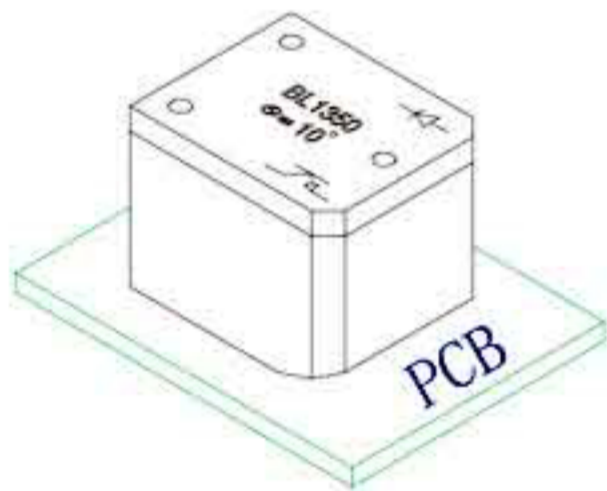


product name	model	Features	Contact type
Photoelectric switch	BL-1350	Motion detection	Dump trigger all week

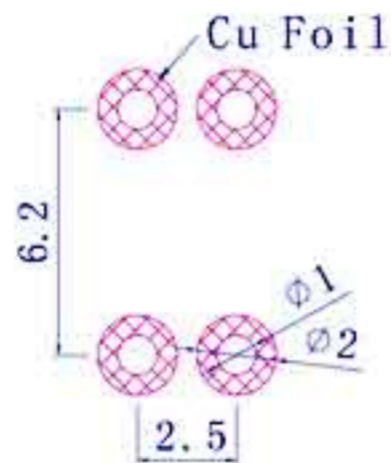
# product parameters

## ■ SIZE

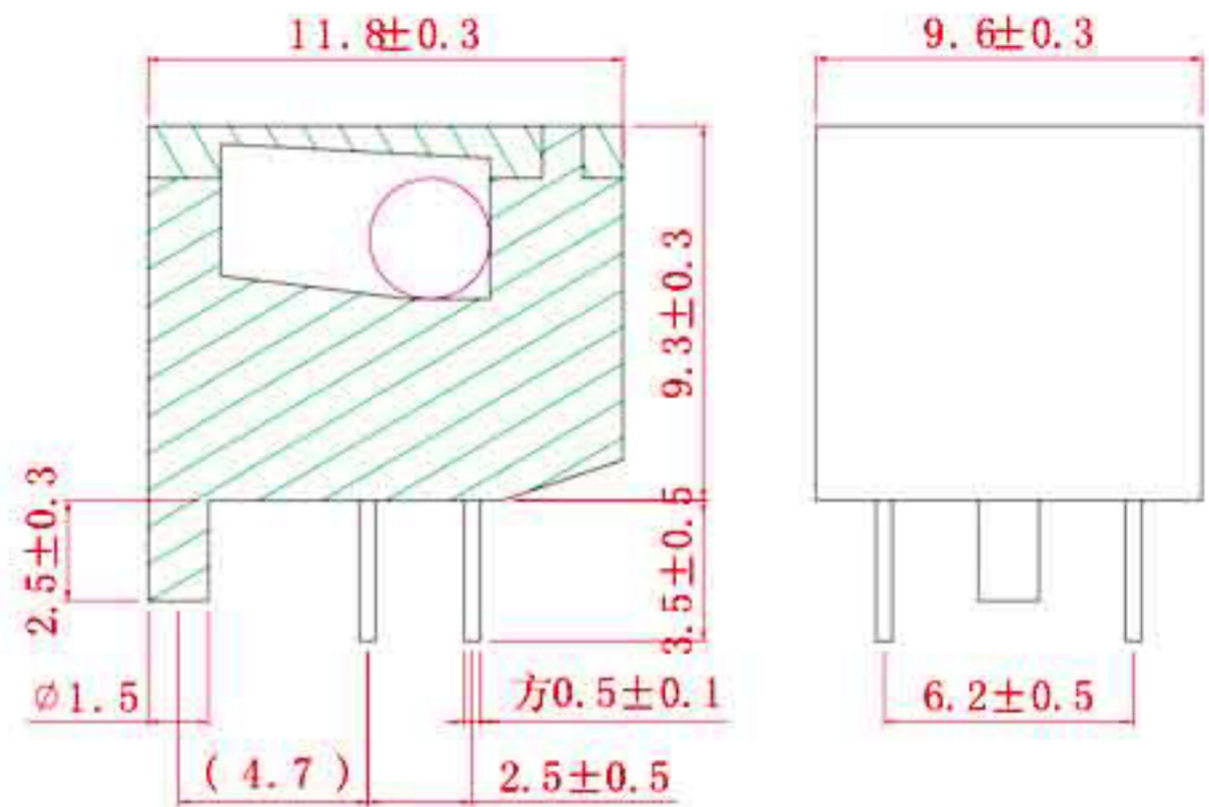
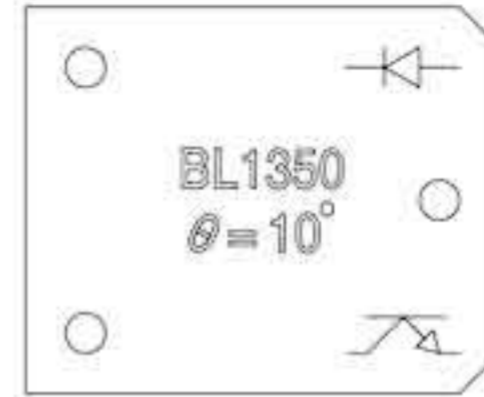
Unit: mm,  
Tolerance  $\pm 0.25$



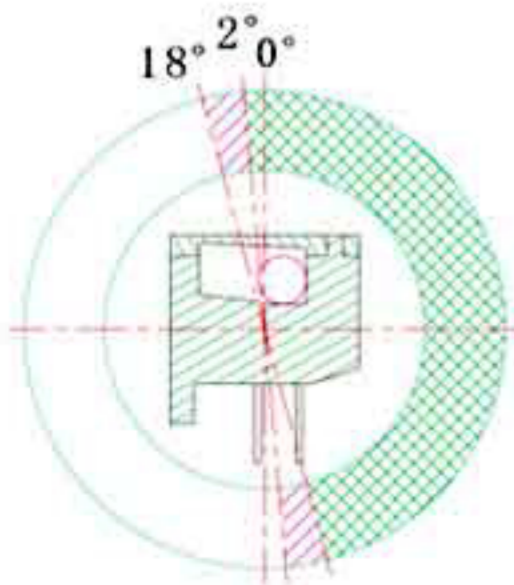
Horizontal plate  
installation






PCB Hole Layout



Trigger angle



-  High level information
-  Low level information
-  Uncertain signal

Plastic seat: Nylon+Glass fiber

Plastic cover: Nylon+Glass fiber

Ball: Brass, Nickel-plated

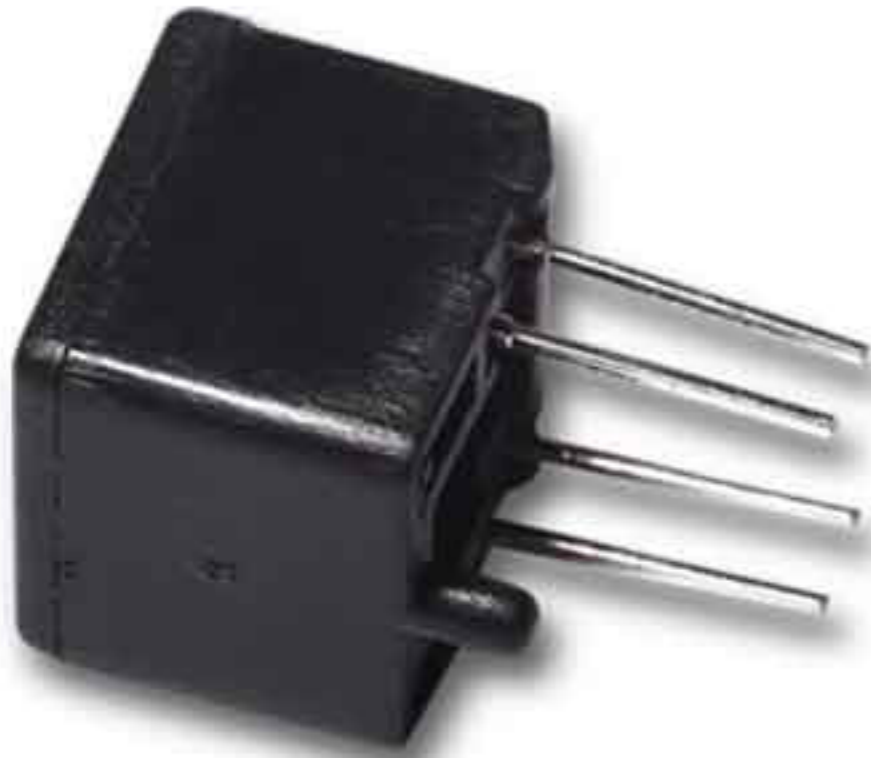
Electrical life: 100000hours

Operating life: 100000times

Do not use strong acid, alkaline flux



# product feature



BL-3030 can detect 360-degree dumping

- ▶ **Voltage: 4.5–5V**
- ▶ **Electric current: 6–20mA**
- ▶ **On time: Stable for a long time**
- ▶ **Temperature resistance:  $-40^{\circ}\text{C}$  to  $85^{\circ}\text{C}$**
- ▶ **Terminal tension: 500gf for 1 minute**
- ▶ **Humidity: 95% RH,  $40^{\circ}\text{C}$  for 24hours**
- ▶ **Welding temperature:  $260^{\circ}\text{C} \pm 10^{\circ}\text{C}$**
- ▶ **Solder: Tin content 100%**



## typical application



**Household appliances**



**Automation device**



**Household appliances**