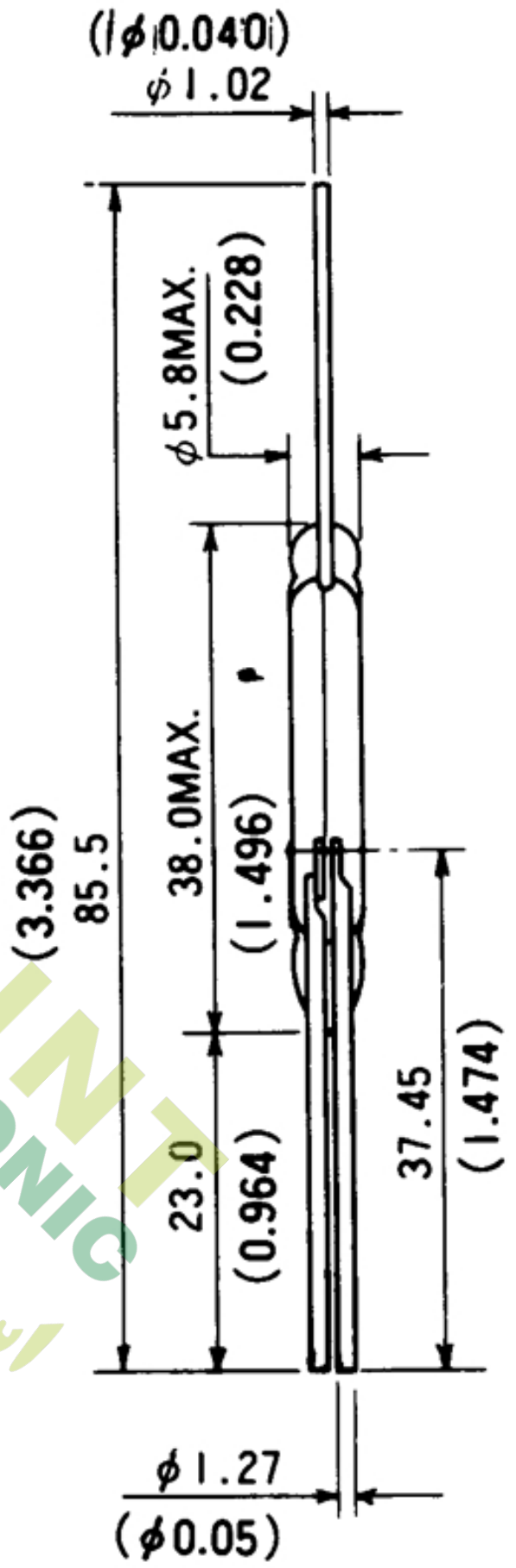


Specifications/Dimensions

Item	Value
Contact Form	1C
Contact Position ¹	O
Contact Material	Rhodium
Max. Contact Rating	10W
Max. Switching Voltage	250VDC
Max. Switching current	0.5A
Max. Initial Contact Resistance	75mW
Pull in Value (AT)	30-80
Min. Drop out Value (AT)	15
Min. Breakdown Voltage ²	500VDC
Max. Contact Capacitance	3.0pF
Min. Insulation Resistance	10 ⁸ W
Typ. Resonant Frequency	1.1kHz
Electrical Life (Resistive loads)	10 ⁶ (24VDC, 100mA)
Features	Single pole, double throw



Test Coil - TC- 1002

Number of Turns	10,000
Wire Gauge	AWG #38
Coil Resistance	670W

Test Coil

