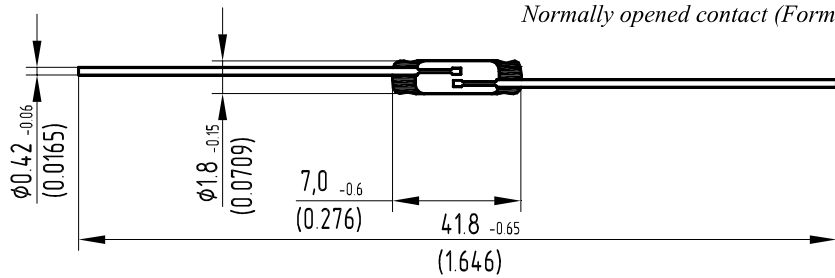


P 1W
I 0,3A
U 24V



Dimensions are given in millimeters (inches)

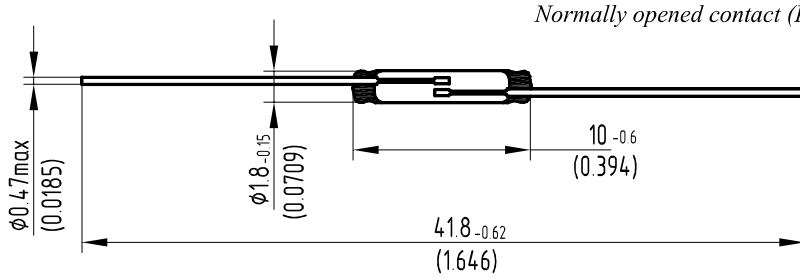
E229065

Information parameters		Group		
		A	B	B
Power (switching), no more than	W/VA	1		
Current switching	A	5·10 ⁻⁶ ... 0,1		
cutoff, no more than		0,3		
Voltage (commutating)	V	0,05 ... 24		
Resistance, no more than	Ohm	0,2		
Insulation resistance, no less than	MOhm	1000		
Electric strength of insulation, no less than	V _{eff}	110		
	V _{const}	150		
Operation ampere-turns	A	7...18	15...25	23...35
Release ampere-turns, no less than	A	4	5	8
Reset coefficient	-	0,35...0,95		
Operating time, no more than	ms	0,3		
Release time, no more than	ms	0,1		
Capacity, no more than	pF	0,4		
Actuating quantity (subject to operation conditions)	-	1·10 ⁶ ... 5·10 ⁷		
Switching frequency (subject to operation conditions), no more than	operat/ sec	400		
Switching current frequency, no more than	kHz	10		
Resonance frequency, no less than	Hz	12000		
Sinusoidal vibrations (1-500) Hz	g	10		
Mechanical shock	g	150		
Operating temperature range	°C	-60...+125		
High humidity at +25 °C, no more than	%	98		
Weight, no more than	g	0,07		

Dimensions	10 ^{+0,15}	Parameters
Ø3,0 _{-0,075}		5000 turns Ø0,063 mm 580 Ohm



P 10W
I 0,5A
U 100V



Normally opened contact (Form A)



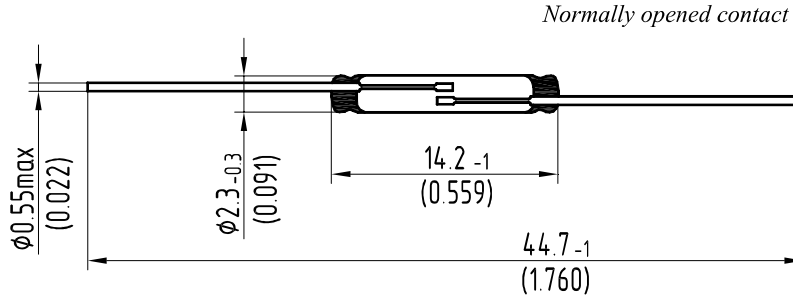
E229065

Dimensions are given in millimeters (inches)

Information parameters		Group		
		O	A	B
Power (switching), no more than	W	10		
Current switching	A	5·10 ⁻⁶ ... 0,5		
cutoff, no more than		0,5		
Voltage (commutating)	V	0,05 ... 100		
Resistance, no more than	Ohm	0,1 (0,15)		
Insulation resistance, no less than	MOhm	1000		
Electric strength of insulation, no less than	V _{eff}	110		
	V _{const}	150		
Operation ampere-turns	A	8...20	15...30	25...40
Release ampere-turns	A	4...18	6...27	10...36
Reset coefficient	-	0,35...0,9		
Operating time, no more than	ms	0,5		
Release time, no more than	ms	0,3		
Capacity, no more than	pF	0,5		
Actuating quantity (subject to operation conditions)	-	1·10 ⁵ ... 5·10 ⁶		
Switching frequency (subject to operation conditions), no more than	operat/ sec	400		
Switching current frequency, no more than	kHz	10		
Resonance frequency, no less than	Hz	5000		
Sinusoidal vibrations (1-2000) Hz	g	10		
Mechanical shock (1±0,3)ms	g	150		
Operating temperature range	°C	-60...+125		
High humidity at +25 °C, no more than	%	98		
Weight, no more than	g	0,083		

Dimensions	10 ^{+0,15}	Parameters
Ø3,0 _{-0,075}		5000 turns Ø0,063 mm 580 Ohm

P 10W
I 1,0A
U 100V



Normally opened contact (Form A)



Dimensions are given in millimeters (inches)

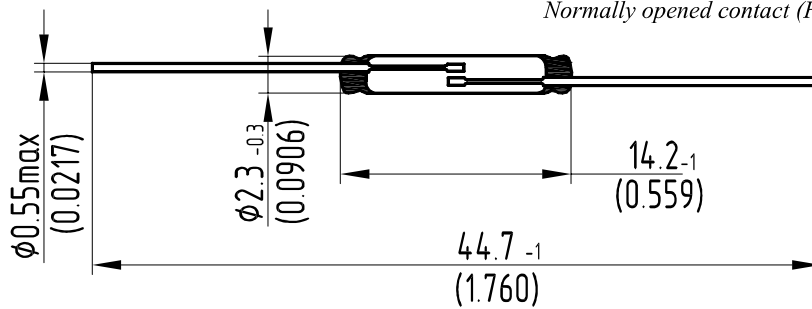
E229065

Information parameters		Group	
		A	B
Power (switching), no more than	W	10	
Current switching cutoff	A	5·10 ⁻⁹ ... 0,5	
		5·10 ⁻⁶ ... 1,0	
Voltage (commutating)	V	0,01 ... 100	
Resistance, no more than	Ohm	0,1 (0,15)	
Insulation resistance, no less than	MOhm	10000	
Electric strength of insulation, no less than • at operation ampere-turns ≤ 20A • at operation ampere-turns > 20A	Veff/ Vconst	160/220	
		180/250	
Operation ampere-turns	A	8...23	20...35
Release ampere-turns, no less than	A	4	
Reset coefficient	-	0,35...0,9	
Operating time, no more than	ms	1,0	
Release time, no more than	ms	0,4	
Capacity, no more than	pF	0,7	
Actuating quantity (subject to operation conditions)	-	5·10 ⁵ ... 1·10 ⁸	
Switching frequency (subject to operation conditions), no more than	operat/sec	100	
Switching current frequency, no more than	kHz	10	
Resonance frequency, no less than	Hz	4000	
Sinusoidal vibrations (1-2000) Hz	g	40	
Mechanical shock	g	150	
Operating temperature range	°C	-60...+155	
High humidity at +25 °C, no more than	%	98	
Weight, no more than	g	0,14	

Dimensions	13 ^{+0,18}	Parameters
Ø8,1 _{-0,09}		5000 turns Ø0,063 mm 870 Ohm

--	--	--

P 10W
I 0,5A
U 100V



Normally opened contact (Form A)



Dimensions are given in millimeters (inches)

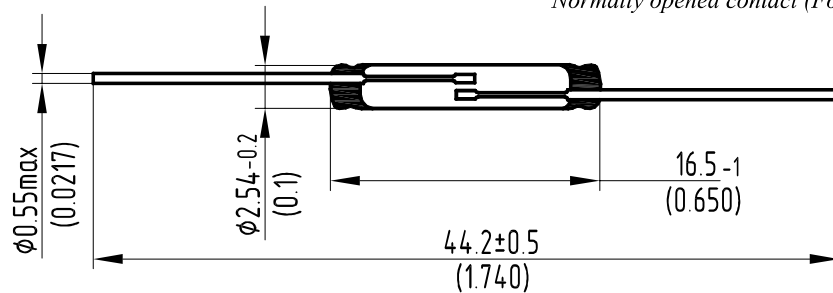
E229065

Information parameters		Group	
		A	B
Power (switching), no more than	W	10	
Current <u>switching</u>	A	5·10 ⁻⁶ ... 0,5	
		5·10 ⁻⁶ ... 0,5	
Current <u>cutoff</u>			
Voltage (commutating)	V	0,01 ... 100	
Resistance, no more than	Ohm	0,14	
Insulation resistance, no less than	MOhm	10000	
Electric strength of insulation, no less than	Vconst	220	
Operation ampere-turns	A	10...23	20...35
Release ampere-turns, no less than	A	7	
Reset coefficient	-	0,8...0,95	
Operating time, no more than	ms	1,0	
Release time, no more than	ms	0,4	
Capacity, no more than	pF	0,7	
Actuating quantity (subject to operation conditions)	-	5·10 ⁹ ... 1·10 ⁸	
Switching frequency (subject to operation conditions), no more than	operat/sec	100	
Switching current frequency, no more than	kHz	10	
Resonance frequency, no less than	Hz	4000	
Sinusoidal vibrations (1-2000) Hz	g	20	
Mechanical shock	g	150	
Operating temperature range	°C	-60...+155	
High humidity at +25 °C, no more than	%	98	
Weight, no more than	g	0,14	

Dimensions	13 ^{+0,18}	Parameters
Ø8,1 _{-0,09}		5000 turns Ø0,063 mm 870 Ohm

--	--	--

P 10W
I 1,0A
U 100V



Normally opened contact (Form A)



Dimensions are given in millimeters (inches)

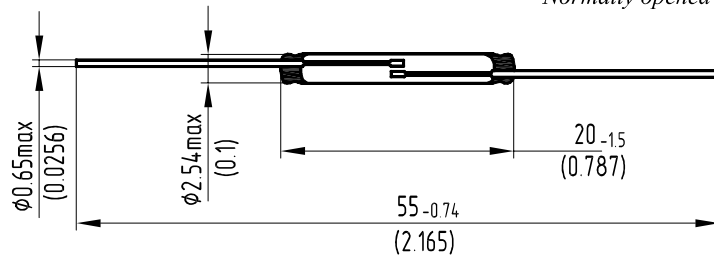
E229065

Information parameters		Group	
		A	B
Power	on resistive load, no more than	W	10
	on lamp load, no more than		5
Current	switching	A	$1 \cdot 10^{-6} \dots 0,5$
	cutoff		$1 \cdot 10^{-6} \dots 1,0$
Voltage	on resistive load	V	0,05 ... 100
	on lamp load		0,05 ... 15
Resistance, no more than		Ohm	0,1(0,15)
Insulation resistance, no less than		MOhm	1000
Electric strength of insulation, no less than		V_{eff}/V_{const}	160/220
Operation ampere-turns		A	10...30 25...50
Release ampere-turns, no less than		A	5 10
Reset coefficient		-	0,35...0,95
Operating time, no more than		ms	0,6
Release time, no more than		ms	0,4
Capacity, no more than		pF	0,3
Actuating quantity (subject to operation conditions)		-	$1 \cdot 10^5 \dots 1 \cdot 10^8$
Switching frequency (subject to operation conditions)		operat/sec	1 ... 400
Switching current frequency, no more than		kHz	10
Resonance frequency, no less than		Hz	3000
Sinusoidal vibrations (1-2000) Hz		g	10
Mechanical shock (1±0,3)ms		g	150
Operating temperature range		°C	-60...+125
High humidity at +25 °C, no more than		%	98
Weight, no more than		g	0,16

Dimensions	$14,7^{+0,18}$	Parameters
$\text{Ø}4,2_{-0,075}$		5000 turns Ø0,063 mm 620 Ohm

--	--	--

P	10W
I	0,5A
U	180V



Normally opened contact (Form A)



E229065

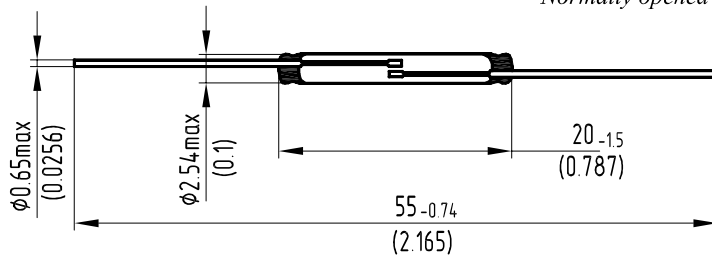
Dimensions are given in millimeters (inches)

Information parameters

Power (switching), no more than	W	10
Current (switching)	A	$5 \cdot 10^{-6} \dots 0,5$
Voltage (commutating)	Vconst.	0,05 ... 180
	Veff.	0,05 ... 130
Resistance, no more than	Ohm	0,15
Insulation resistance, no less than	MOhm	1000
Electric strength of insulation, no less than	Veff./ Vconst.	160/220
		200/280
Operation ampere-turns	A	10...42
Release ampere-turns	A	4...38
Reset coefficient	-	0,35...0,9
Operating time, no more than	ms	1,0
Release time, no more than	ms	0,3
Capacity, no more than	pF	0,4
Actuating quantity (subject to operation conditions)	-	$1 \cdot 10^4 \dots 1 \cdot 10^8$
Switching frequency (subject to operation conditions)	operat/sec	10 ... 100
Switching current frequency, no more than	kHz	10
Resonance frequency, no less than	Hz	2600
Sinusoidal vibrations (1-2000) Hz	g	20
Mechanical shock	g	150
Operating temperature range	°C	-60...+125
High humidity at +25 °C, no more than	%	98
Weight, no more than	g	0,36

Dimensions	18,8 ^{+0,21}	Parameters
Ø4,6 _{-0,075}		5000 turns Ø0,063 mm 550 Ohm

P	50W
I	2,0A
U	250V



Normally opened contact (Form A)



E229065

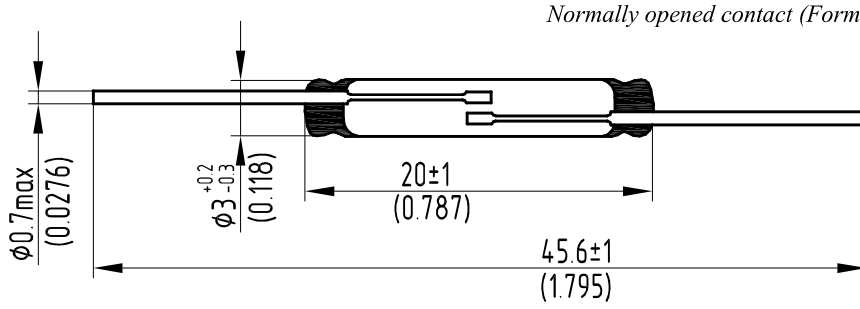
Dimensions are given in millimeters (inches)

Information parameters

Power (switching), no more than	W	50
Current switching	A	$5 \cdot 10^{-6} \dots 1,0$
Current cutoff		$5 \cdot 10^{-6} \dots 2,0$
Voltage (commutating)	V	0,05 ... 250
Resistance, no more than	Ohm	0,1
Insulation resistance, no less than	MOhm	10000
Electric strength of insulation, no less than	Vconst.	300
• at operation ampere-turns $\leq 25A$		400
• at operation ampere-turns $> 25A$		
Operation ampere-turns	A	20...40
Release ampere-turns	A	8...36
Reset coefficient	-	0,4...0,9
Operating time, no more than	ms	0,75
Release time, no more than	ms	0,3
Capacity, no more than	pF	0,4
Actuating quantity (subject to operation conditions)	-	$2,5 \cdot 10^4 \dots 1 \cdot 10^7$
Switching frequency (subject to operation conditions), no more than	operat/sec	100
Switching current frequency, no more than	kHz	10
Resonance frequency, no less than	Hz	2600
Sinusoidal vibrations (1-2000) Hz	g	30
Mechanical shock	g	150
Operating temperature range	°C	-60...+125
High humidity at +25 °C, no more than	%	98
Weight, no more than	g	0,36

Dimensions	18,8 ^{+0,21}	Parameters
$\varnothing 4,6_{-0,075}$		5000 turns $\varnothing 0,063$ mm 550 Ohm

P 10W
I 0,5A
U 180V



Normally opened contact (Form A)

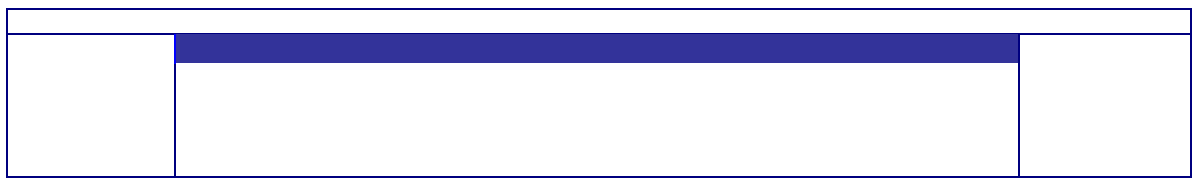


Dimensions are given in millimeters (inches)

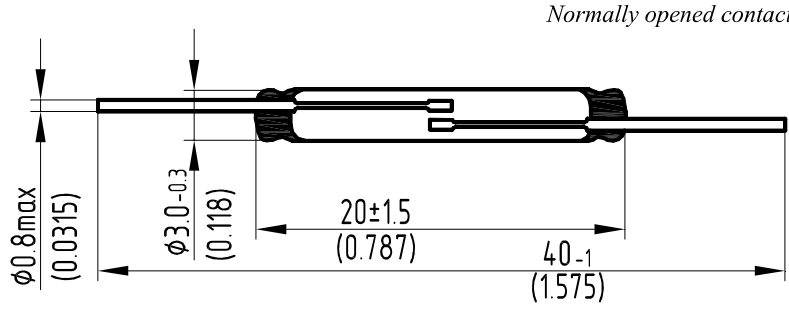
E229065

Information parameters		Group		
		O, OP	A, AP	Б, БР
Power (switching), no more than	W	10		
Current (switching)	A	$1 \cdot 10^{-4} \dots 0,5$		
Voltage (commutating)	$V_{const.}$	0,05 ... 180		
	$V_{eff.}$	0,05 ... 130		
Resistance, no more than	Ohm	0,15		
Insulation resistance, no less than	$MOhm$	1000		
Electric strength of insulation, no less than	$V_{eff.}/V_{const.}$	180/250		
Operation ampere-turns	A	10...25	21...42	32...64
Release ampere-turns	A	5...23	7...38	10...58
Reset coefficient	-	0,3...0,9		
Operating time, no more than	ms	1,0		
Release time, no more than	ms	0,5		
Capacity, no more than	pF	0,4		
Actuating quantity (subject to operation conditions)	-	$5 \cdot 10^4 \dots 1 \cdot 10^7$		
Switching frequency (subject to operation conditions), no more than	$operat/s$ ec	100		
Switching current frequency, no more than	kHz	10		
Resonance frequency, no less than	Hz	2400		
Sinusoidal vibrations (1-600) Hz	g	10		
Mechanical shock	g	150		
Operating temperature range	$^{\circ}C$	-60...+125		
High humidity at +25 °C, no more than	$\%$	98		
Weight, no more than	g	0,33		

Dimensions	$18,8^{+0,33}$	Parameters
$\varnothing 4,6_{-0,18}$		5000 turns $\varnothing 0,063$ mm 550 Ohm



P 15W
I 0,5A
U 160V



Normally opened contact (Form A)



Dimensions are given in millimeters (inches)

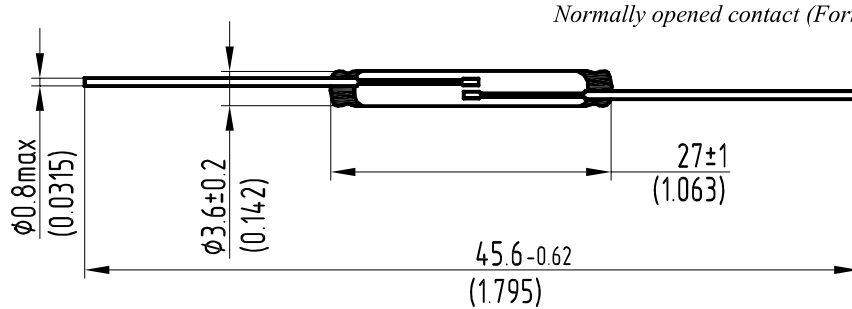
E229065

Information parameters

Power (switching), no more than	W	15
Current (switching)	A	$5 \cdot 10^{-6} \dots 0,5$
Voltage (commutating)	V	0,05 ... 160
Resistance, no more than	Ohm	0,15
Insulation resistance, no less than	MOhm	1000
Electric strength of insulation, no less than	$V_{eff.}/V_{const.}$	127/180
Operation ampere-turns	A	20...75
Release ampere-turns	A	6...68
Reset coefficient	-	0,3...0,9
Operating time, no more than	ms	1,0
Release time, no more than	ms	0,3
Capacity, no more than	pF	0,4
Actuating quantity (subject to operation conditions)	-	$2 \cdot 10^3 \dots 1 \cdot 10^7$
Switching frequency (subject to operation conditions)	operat/sec	0,5 ... 100
Switching current frequency, no more than	kHz	10
Resonance frequency, no less than	Hz	2400
Sinusoidal vibrations (1-600) Hz	g	10
Mechanical shock	g	150
Operating temperature range	°C	-60...+125
High humidity at +25 °C, no more than	%	98
Weight, no more than	g	0,4

Dimensions	18,8 ^{+0,21}	Parameters
Ø4,6 _{-0,075}		5000 turns Ø0,063 mm 550 Ohm

P 20W
I 0,8A
U 250V



Dimensions are given in millimeters (inches)

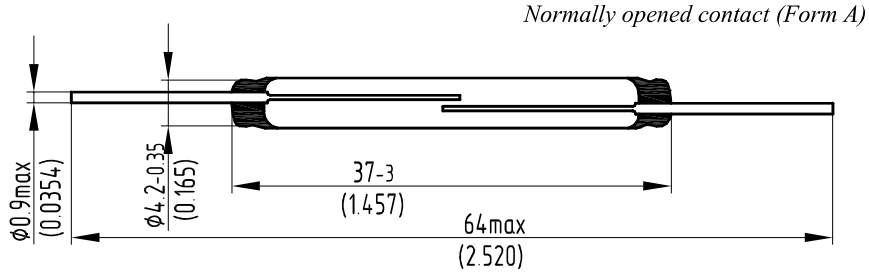
E229065

Information parameters		Group			
		A	B	B	C
Power (switching), no more than • direct/alternating current on resistive load • inductive load	W VA	12 / 20 1,5			
Current	switching	1·10 ⁻⁶ ... 0,5			
	cutoff	1·10 ⁻⁶ ... 0,8			
Voltage	direct current	0,05 ... 250			
	alternating current	0,05 ... 150			
Resistance, no more than	Ohm	0,15			
Insulation resistance, no less than	MOhm	1000			
Electric strength of insulation, no less than	Vampl. Vconst.	500			
Operation ampere-turns	A	30...45	40...60	55...80	30...60
Release ampere-turns, no less than	A	10	14	19	10
Reset coefficient	-	0,35...0,85			
Operating time, no more than	ms	1,0			
Release time, no more than	ms	0,5			
Capacity, no more than	pF	0,5			
Actuating quantity (subject to operation conditions)	-	1·10 ⁴ ... 5·10 ⁶			
Switching frequency (subject to operation conditions) , no more than	operat/ sec	50			
Switching current frequency, no more than	kHz	100			
Resonance frequency, no less than	Hz	1700			
Sinusoidal vibrations (1-600) Hz	g	10			
Mechanical shock	g	150			
Operating temperature range	°C	-60...+125			
High humidity at +25 °C, no more than	%	98			
Weight, no more than	g	0,8			

Dimensions	28 ^{+0,21}	Parameters
Ø5,9 _{-0,18}		5000 turns Ø0,08 mm 400 Ohm

--	--	--

P 20W
I 1,0A
U 250V

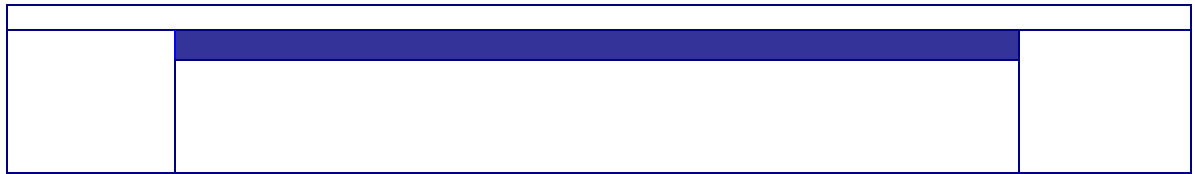


E229065

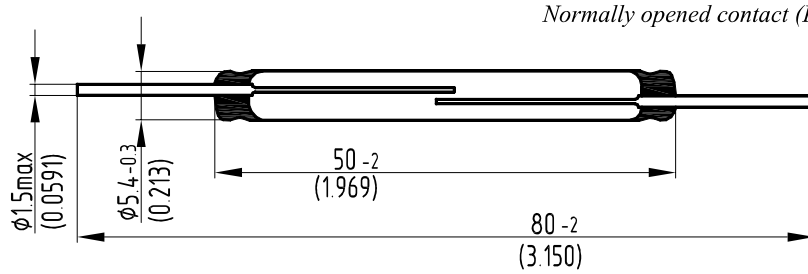
Dimensions are given in millimeters (inches)

Information parameters		Group	
		A	B
Power (switching), no more than	W	20	
Current <u>switching</u> cutoff	A	1·10 ⁻³ ... 1,0	
		1·10 ⁻³ ... 1,0	
Voltage (commutating)	$V_{const.}$	0,05 ... 110	
	$V_{eff.}$	0,05 ... 250	
Resistance, no more than	Ohm	0,15	
Insulation resistance, no less than	MOhm	1000	
Electric strength of insulation, no less than	V_{eff}/V_{const}	360/500	
Operation ampere-turns	A	35...50	45...75
Release ampere-turns	A	10...45	13...68
Reset coefficient	-	0,3...0,9	
Operating time, no more than	ms	2,0	
Release time, no more than	ms	0,5	
Capacity, no more than	pF	0,4	
Actuating quantity (subject to operation conditions)	-	1·10 ³ ... 5·10 ⁶	
Switching frequency (subject to operation conditions), no more than	operat/sec	50	
Switching current frequency, no more than	kHz	10	
Resonance frequency, no less than	Hz	900	
Sinusoidal vibrations (1-600) Hz	g	10	
Mechanical shock	g	150	
Operating temperature range	°C	-60...+125	
High humidity at +25 °C, no more than	%	98	
Weight, no more than	g	1,2	

Dimensions	35,4 ^{+0,25}	Parameters
Ø5,9 _{-0,075}		5000 turns Ø0,112 mm 230 Ohm



P 120W
I 3,0A
U 250V



Normally opened contact (Form A)



E229065

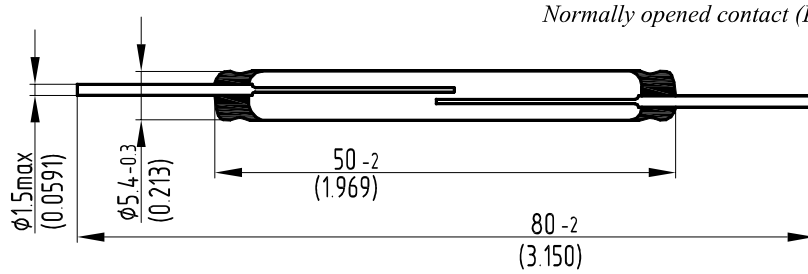
Dimensions are given in millimeters (inches)

Information parameters		Group	
		A	B
Power (switching), no more than	WVA	120/90	
Current on resistive load (switching)	A	0,01 ... 3,0	
on inductive load		0,01 ... 0,4	
Current (cutoff)	A	0,01 ... 3,0	
Voltage (commutating)	V	12 ... 250	
Resistance, no more than	Ohm	0,2	
Insulation resistance, no less than	MOhm	1000	
Electric strength of insulation, no less than	V_{eff}/V_{const}	500/700	
Operation ampere-turns	A	50...72	68...90
Release ampere-turns	A	20...65	28...80
Reset coefficient	-	0,4...0,9	
Operating time, no more than	ms	2,0	
Release time, no more than	ms	1,0	
Capacity, no more than	pF	1,0	
Actuating quantity (subject to operation conditions)	-	$5 \cdot 10^3 \dots 2 \cdot 10^6$	
Switching frequency (subject to operation conditions), no more than	operat/sec	25	
Switching current frequency, no more than	kHz	10	
Resonance frequency, no less than	Hz	700	
Sinusoidal vibrations (1-500) Hz	g	10	
Mechanical shock	g	150	
Operating temperature range	°C	-60...+100	
High humidity at +25 °C, no more than	%	98	
Weight, no more than	g	2,0	

Dimensions	42,8 ^{+0,39}	Parameters
Ø10 _{-0,22}		5000 turns Ø0,112 mm 335 Ohm

Reed switch MKA-50201 gr.A AIIIIK.685180.001TY
Interpretation: reed switch MKA-50201 of group A.
Instead of a group additionally point the operation ampere-turns range.

P 250W
I 5,0A
U 250V



Normally opened contact (Form A)



E229065

Dimensions are given in millimeters (inches)

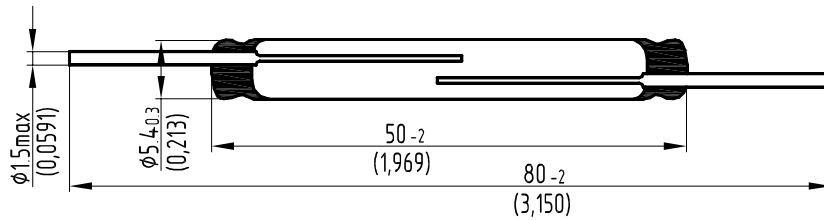
Information parameters

Power (switching), no more than	W/VA	250/90
Current on resistive load (switching)	A	0,01 ... 5,0
Current on inductive load (switching)	A	0,01 ... 0,4
Current (cutoff)	A	0,01 ... 5,0
Voltage (commutating)	V	12 ... 250
Resistance, no more than	Ohm	0,15
Insulation resistance, no less than	MOhm	1000
Electric strength of insulation, no less than	V_{eff}/V_{const}	360/500 500/700
• at operation ampere-turns $\leq 50A$		
• at operation ampere-turns $> 50A$		
Operation ampere-turns	A	40...100
Release ampere-turns	A	16...90
Reset coefficient	-	0,4...0,9
Operating time, no more than	ms	2,0
Release time, no more than	ms	1,0
Capacity, no more than	pF	1,0
Actuating quantity (subject to operation conditions)	-	$5 \cdot 10^3 \dots 2 \cdot 10^6$
Switching frequency (subject to operation conditions), no more than	operat/sec	25
Switching current frequency, no more than	kHz	10
Resonance frequency, no less than	Hz	700
Sinusoidal vibrations (1-500) Hz	g	10
Mechanical shock	g	150
Operating temperature range	°C	-60...+100
High humidity at +25 °C, no more than	%	98
Weight, no more than	g	2,0

Dimensions	42,8 ^{+0,39}	Parameters
$\varnothing 10_{-0,22}$		5000 turns $\varnothing 0,112$ mm 335 Ohm

P 30W
I 2,0A
U 300V

Normally opened contact (Form A)



Dimensions are given in millimeters (inches)

Information parameters		Group		
		A	Б	B
Power (switching), no more than	W	30		
Current (switching)	A	1·10 ⁻⁶ ... 2,0		
Voltage (commutating)	V	0,05 ... 300		
Resistance, no more than	Ohm	0,1		
Insulation resistance, no less than	MOhm	1000		
Electric strength of insulation, no less than	Veff/ Vconst	500/700		
Operation ampere-turns	A	50...72	68...92	88...120
Release ampere-turns	A	15...65	20...83	26...110
Reset coefficient	-	0,3...0,9		
Operating time, no more than	ms	2,0		
Release time, no more than	ms	0,8		
Capacity, no more than	pF	1,0		
Actuating quantity (subject to operation conditions)	-	1·10 ⁴ ... 1·10 ⁸		
Switching frequency (subject to operation conditions)	operat/ sec	10 ... 50		
Switching current frequency, no more than	kHz	10		
Resonance frequency, no less than	Hz	700		
Sinusoidal vibrations (1-600) Hz	g	10		
Mechanical shock	g	150		
Operating temperature range	°C	-60...+125		
High humidity at +25 °C, no more than	%	98		
Weight, no more than	g	3,0		

Dimensions	42,8 ^{+0,39}	Parameters
Ø10 _{-0,22}		5000 turns Ø0,112 mm 335 Ohm

--	--	--