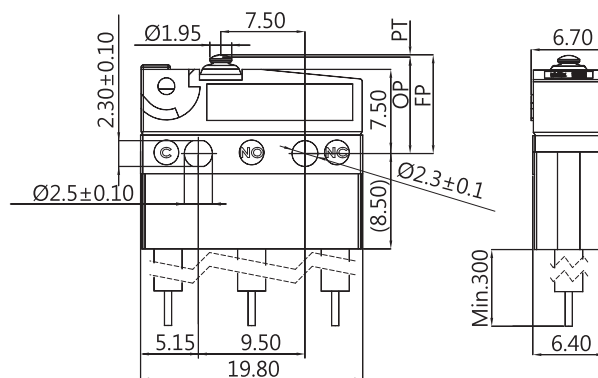


WATER PROOF SWITCHES



DIMENSIONS

Unless otherwise specified, a tolerance of $\pm 0.4\text{mm}$ applies to all dimensions.



SW2 (IP67) SERIES

APPLICATIONS

Telephone, Air conditioner, Computer, Humidifier, Alarm, Time recorder, Mixer & Chopper, Solder gun, Neon phone, Fax machine, Joystick, Water pump, Gas detector, Pencil sharpener, Money sorter, Food processor, Electric knife, Toy car, Juice maker, Electric steak pan.

※ For the specification, please refer to SW2 SERIES. ※

THE SELECTION OF RATING & FORCE

MODEL	Rating	L	S	H
SW2	0.1A	*	*	*
	3A	*	*	*
	6A	*	*	*
	10A 10(2)A		*	*
	1/4 hp 10A 10(2)A		*	*

NOTE : The Symbol " * " to represent the result is accepted

CERTIFICATE INFORMATION

Model Name	UL · cUL	ENEC
SW2-C1	0.1RA 125/250VAC	0.1A 125/250VAC
SW2-C3	3GPA 125/250VAC	3A 125/250VAC
SW2-06	5RA 30VDC u 6GPA 125/250VAC	5A 30VDC 6A 125/250VAC
SW2-10	5RA 30VDC 10RA 125/250VAC	5A 30VDC 10(2)A 125/250VAC
SW2-H10	5RA 30VDC 10RA125/250VAC 10GPA 125/250VAC 1/4HP 125/250VAC	5A 30VDC 10(2)A 125/250VAC

ORDERING INFORMATION

SERIES PREFIX	CODE	RATING CURRENT	CODE	OPERATING FORCE	CODE	COVER TYPE	CODE	ACTUATOR TYPE	CODE	WIRE SIDE	CODE	CIRCUIT ARRANGEMENT	CODE	AWG TYPE	CODE	UL NUMBER	SERIAL CODE	ROHS CODE
SW2	06	6A 125/250 VAC	S	STANDARD	1		00		0		0	S.P.D.T	E	20	A	UL1007		
	03	3A 125/250 VAC	H	HEAVIER			01					1	S.P.S.T NO	F	22	B	UL1015	
	10	10A 125/250 VAC 10(2)A 125/250 VAC	L	LIGHT			02					2	S.P.S.T NC	G	24	C	UL1430	
	H10	10A 125/250 VAC 10(2)A 125/250 VAC 1/4 hp 125/250 VAC					03							H	26	D	UL1061	
							04									F	AV	
							05											
							06											
							07											
							08											
							09											

#NOTE	RATING CURRENT	AWG TYPE	LEADS WIRE	OPERATING FORCE
1	Code:P1	20,22,24,26	Min.30cm	L, S, H
	Code:03	20,22,24,26	Min.30cm	L, S, H
	Code:06	20,22	Min.30cm	L, S, H
	Code:10	20	Min.30cm	S, H
	Code:H10	20	Min.30cm	S, H
2	UL number code:F.AV wire(no safety).			

CAUTIONS:

注意事項

1. Wires should not be dragged.
使用帶線型式時，請注意避免拉扯線材。
2. To secure the switch, please use an M2.3 small screw on a flat surface and tighten with plane washers or spring washers to securely mount the switch, using a maximum torque of 0.26 N•m.
若使用定位孔型式，請使用M2.3小型螺絲固定在平面上，並使用平墊圈或者彈性墊圈以便安全的鎖固開關，鎖固扭力請勿超過0.26 N•m。
3. Do not handle the Switch in a way that may cause damage to the sealed rubber & switch sealing.
使用開關時，請勿損壞開關防水矽膠罩及開關防水膠。
4. To ensure the best performance of the switch, when handling/installing the switch, please do not apply uneven pressure to the direction indicated by the arrow in (Figure -1). Any uneven pressure or pressure direction other than the operating direction might be harmful or damage the switch performance.
為確保開關正常運作，安裝及取用開關時，請勿直接施加壓力在(圖-1)中箭所指示的方向。如圖所示，任何不對稱的壓力或作動方向以外的壓力都不適在開關按柄上。
5. Do not exceed the end position (EP) and over travel (OT). This could cause operation failure.
圖示設計按壓位置，請勿超過開關下死點及超出行程，以避免開關失效。
6. Avoid applying any grease/oil and chemicals on the switch rubber.
請避免沾附任何油脂或者化學物質在開關的矽膠防水罩上。

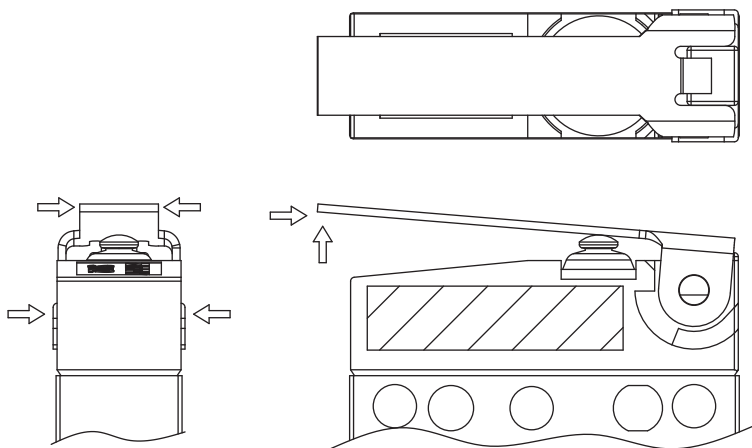


Figure-1