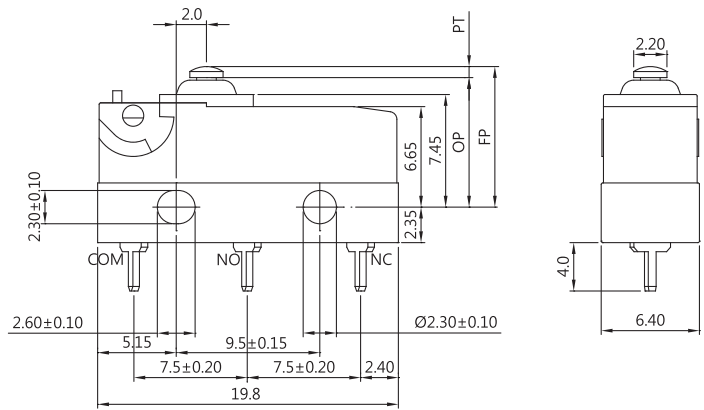


# WATER PROOF SWITCHES



## DIMENSIONS

Unless otherwise specified, a tolerance of  $\pm 0.4\text{mm}$  applies to all dimensions.



## SW SERIES

### SPECIFICATIONS

#### Contact Resistance(initial)

Max. 30 m $\Omega$

Measured by ohm meter - open voltage <1VDC, driver current -100 mA

#### Insulation Resistance (at 500 VDC / minute)

Min. 100 M $\Omega$

#### Dielectric Strength

Min. 1000VAC(50-60HZ)/minute between Live parts.

Min. 1500VAC(50-60HZ)/minute between Live parts and dead metal parts

#### Operating Temperature Range

-40°C to 120°C ( with no icing )

#### Vibration

10~55Hz, displacement 0.75 mm (p-p)

#### Electrical Service Life

Min. 10,000 operations

#### Electrical Operating Frequency

10~30 operations per minute

#### Mechanical Service Life

Min. 2,000,000 operations

#### Mechanical Operating Frequency

120 operations per minute

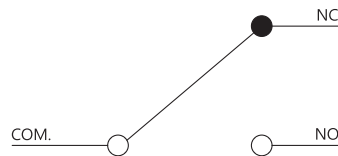
#### Operating application of the switch

Set the switch pushing distance from 60% to 90% of the specified OT value

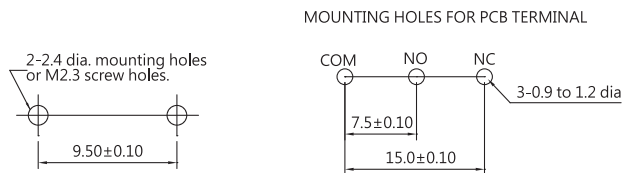
### APPLICATIONS

Telephone, Air Conditioner, Computer, Humidifier, Alarm, Time Recorder, Mixer & Chopper, Solder Gun, Neon Phone, Fax Machine, Joystick, Water Pump, Gas Detector, Pencil Sharpener, Money Sorter, Food Processor, Electric Knife, Toy Car, Juice Maker, Electric Steak Pan

### CONTACT CONFIGURATION



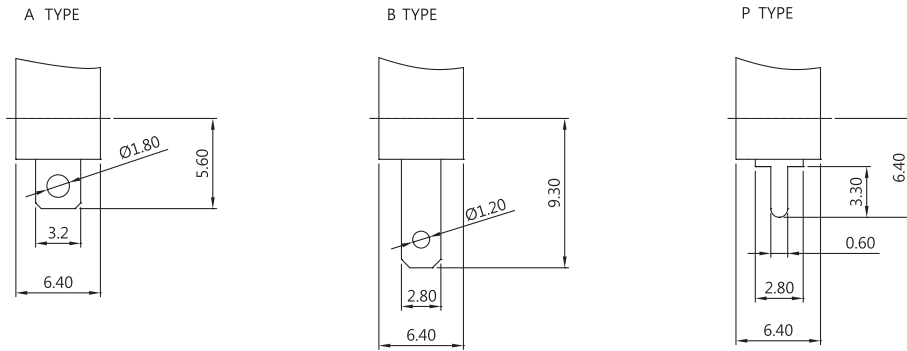
### MOUNTING HOLES



### CERTIFICATE INFORMATION

Model Name	UL, cUL	ENEC
SW-05	0.1A 125/250VAC 5A 125/250VAC (Temp: 120°C) Min. 6000 operations	6A 250VAC $\mu$ T120 1E4

## TERMINAL TYPES



## ORDERING INFORMATION

<b>S</b> <b>W</b>	<b>0</b> <b>5</b>	<b>S</b>	<b>0</b> <b>0</b>	<b>A</b>	<b>0</b>	<b>Z</b>
SERIES PREFIX	RATING CURRENT	OPERATING FORCE	ACTUATOR TYPE	TERMINAL TYPE	CIRCUIT ARRANGEMENT	ROHS CODE
	05 5A 125/250 VAC 6A 125/250 VAC	S STANDARD	00 01 02 03 04 05 06 07 08 09	A B P	0 S.P.D.T 1 S.P.S.T NO 2 S.P.S.T NC	

## CAUTIONS



Scan the QR code or download [https://www.zippy.com/ecmodelcautions/micro\\_switch\\_cautions.pdf](https://www.zippy.com/ecmodelcautions/micro_switch_cautions.pdf)

OPERATING CHARACTERISTICS

SWITCH TYPE	PART SUFFIX	OF Max. (gf)	OP (mm)	PT Max. (mm)	OT Min. (mm)	MD Max. (mm)	FP Max. (mm)	RF Min. (gf)
SW-05S-00 □□ -Z		203	8.4±0.3	1.2	0.6	0.2	9.9	50
SW-05S-01 □□ -Z		82	8.8±1.1	4.3	0.9	0.6	12.0	16
SW-05S-02 □□ -Z		66	8.8±1.2	4.8	1.0	0.7	12.4	13
SW-05S-03 □□ -Z		54	8.8±1.6	6.3	1.6	0.9	13.5	11
SW-05S-04 □□ -Z		68	10.7±1.2	4.6	1.0	0.65	14.1	14
SW-05S-05 □□ -Z		72	14.5±1.1	4.3	0.9	0.6	17.7	15
SW-05S-06 □□ -Z		98	8.8±0.9	3.2	0.6	0.5	11.1	21
SW-05S-07 □□ -Z		39	8.8±2.6	10.1	2.1	2.3	16.3	8
SW-05S-08 □□ -Z		68	11.3±1.3	4.9	0.95	0.8	14.9	13
SW-05S-09 □□ -Z		33	8.8±3.5	13.8	2.9	3.6	19.1	7