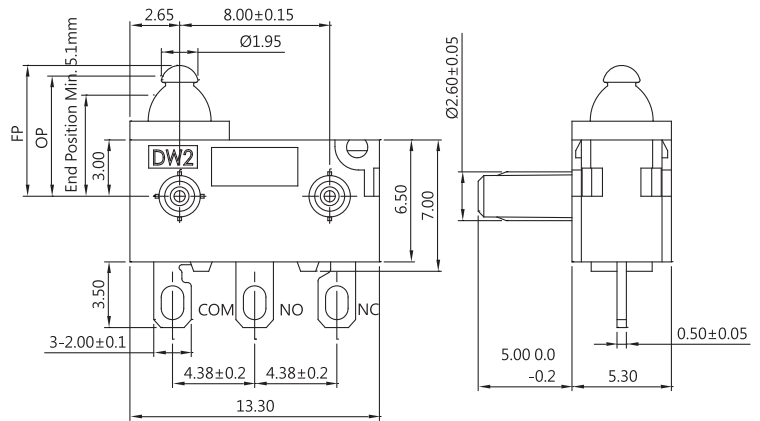


WATER PROOF SWITCHES



DIMENSIONS

Unless otherwise specified, a tolerance of $\pm 0.4\text{mm}$ applies to all dimensions.



DW2 SERIES

SPECIFICATIONS

Contact Resistance (initial)

Max. 100m Ω

(Measured by ohm meter-Open Voltage <1VDC, Driver current-100mA)

Insulation Resistance (at 500VDC/minute)

Min. 100M Ω

Dielectric Strength

Min. 500VAC(50-60HZ)/minute between Live parts.

Min. 1500VAC(50-60HZ)/minute between Live parts and dead metal parts

Operating Temperature Range

-40°C to 85°C (with no icing)

Vibration

10~55Hz, displacement 0.75 mm (p-p)

Electrical Service Life

0.1A - Min. 100,000 operations

3A - Min. 10,000 operations

Electrical Operating Frequency

10~30 operations per minute

Mechanical Service Life

Min. 1,000,000 operations

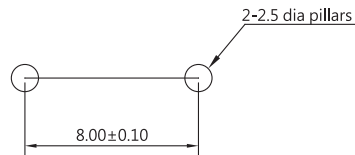
Mechanical Operating Frequency

120 operations per minute

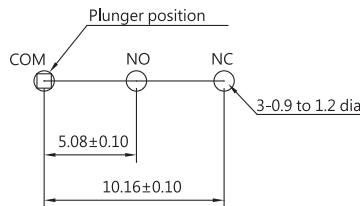
Degree of Protection

IP67 (excluding the terminals on terminal models)

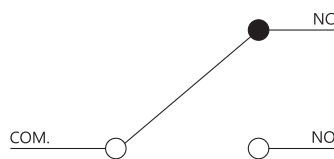
PILLAR PITCH



MOUNTING HOLES FOR PCB TERMINAL



CONTACT CONFIGURATION



APPLICATIONS

Automotive (Seat, Door Latch, Engine Hood, Door Truck),

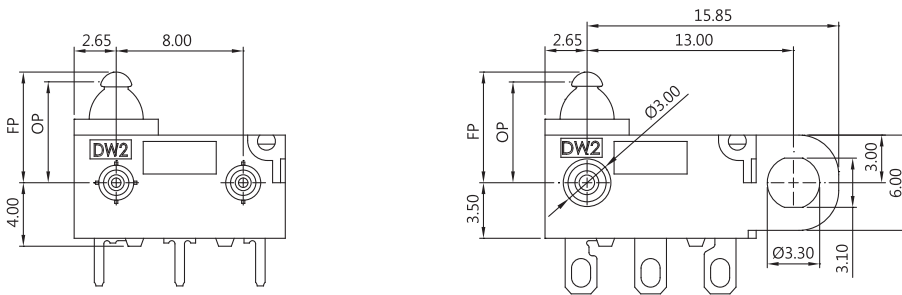
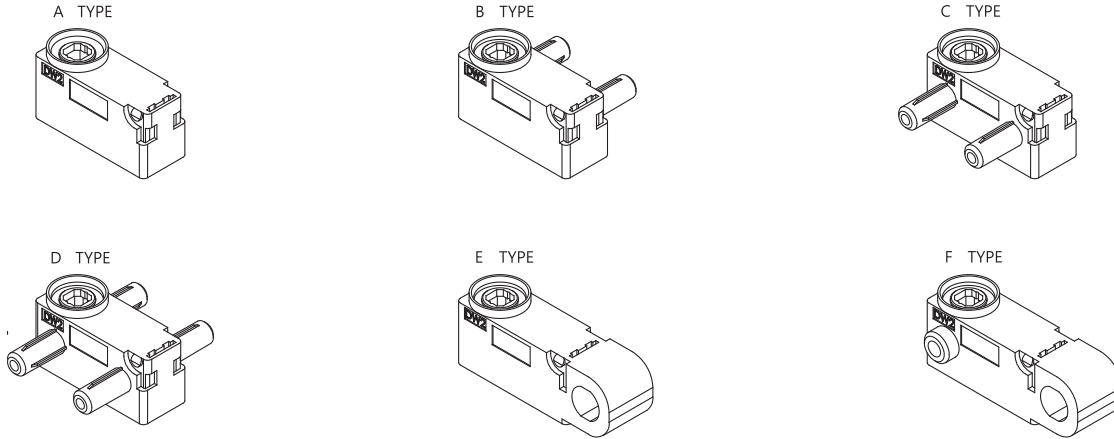
Air Conditioner, Communication, Security System,

Electric tooth brush, Toy

CERTIFICATE INFORMATION

Model Name	UL, cUL	ENEC
DW2-03	0.1RA 3RA 12VDC μ T55 1E5 3RA 24VDC μ T55 5E4 0.1RA 3RA 125/250VAC μ T55 1E4	0.1A 3A 12VDC μ T55 1E5 3A 24VDC μ T55 5E4 0.1A 3A 125/250VAC μ T55 1E4
DW2-G3	0.1RA 3RA 12VDC μ T55 1E5 3RA 24VDC μ T55 5E4 0.1RA 3RA 125/250VAC μ T55 1E4	0.1A 3A 12VDC μ T55 1E5 3A 24VDC μ T55 5E4 0.1A 3A 125/250VAC μ T55 1E4

COVER TYPES (PILLAR & TRAVEL TYPES)



ORDERING INFORMATION

D	W	2	—	0	3	H	—	0	1	A	0	A	A	—	Z					
SERIES PREFIX		CODE	RATING CURRENT		CODE	OPERATING FORCE		CODE	ACTUATOR TYPE		CODE	CIRCUIT ARRANGEMENT		CODE	PILLAR TYPE		PILLAR TYPE		ROHS CODE	
		G3	3A 125/250VAC (Contact Plated Gold)		S	Standard		00			0	S.P.D.T		A						
		03	3A 125/250VAC		H	Heavy		01			1	S.P.S.T NO		B						
								A01			2	S.P.S.T NC		C						
											**			D						

DIMENSIONS FOR B TYPE C TYPE D TYPE							
CODE	L1	H	ØA	ØB	ØC	ØD	P
A	2.0	3.0	2.2	2.6	2.2	2.6	8.00
B	4.0	3.0	2.2	2.6	2.2	2.6	8.00
C	0.7	3.0	2.5	N/A	2.5	N/A	8.00

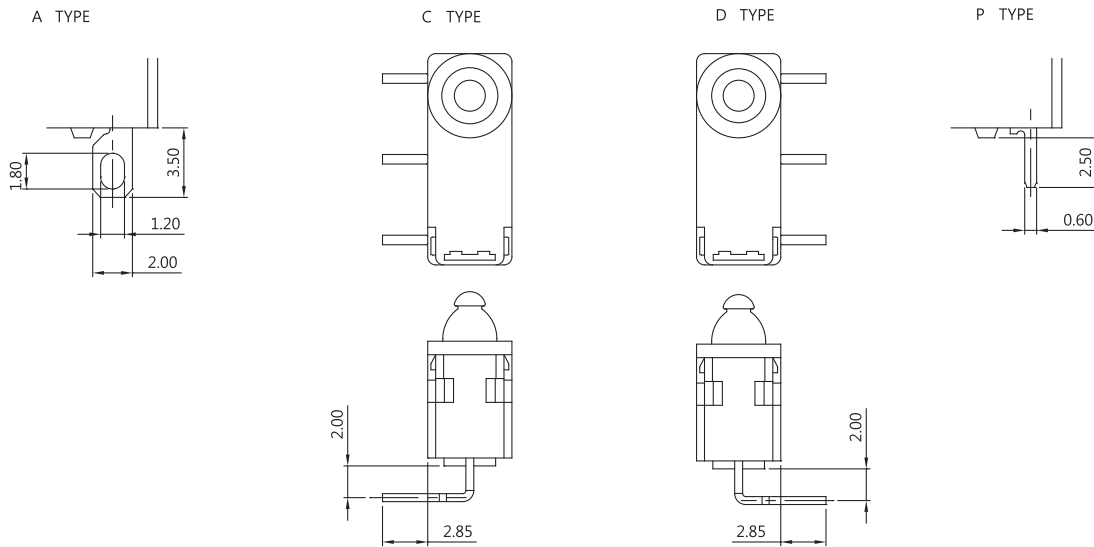
DIMENSIONS FOR F TYPE						
CODE	L1	H1	H2	ØA	ØB	P
	1.5	3.0	3.1	3.0	3.3	13.00

CAUTIONS



Scan the QR code or download https://www.ziply.com/ecodelcautions/micro_switch_cautions.pdf

TERMINAL TYPES (THE thickness of each terminal is 0.5mm)



OPERATING CHARACTERISTICS

SWITCH TYPE	PART SUFFIX	OF		OP (mm)	EP Min (mm)	OT Min (mm)	MD Max (mm)	FP Max (mm)	RF Min (gf)
		Max (gf)							
DW2- □□□ -00 □□ -Z		S	95	10.4±0.2	9.1	1.1	0.25	11.2	10
		H	150						20
		S	95	6.4±0.2	5.1				10
		H	150						20
DW2- □□□ -01 □□ -Z		S	95	11.5±0.5	10	1.0	0.5	12.8	7
		H	135						13
		S	95	7.5±0.5	6				7
		H	135						13
DW2- □□□ -A01 □□ -Z		S	183	11.4±0.5	9.8	1.1	0.5	13.3	20
		H	220						38
		S	183	7.4±0.5	5.8				20
		H	220						38