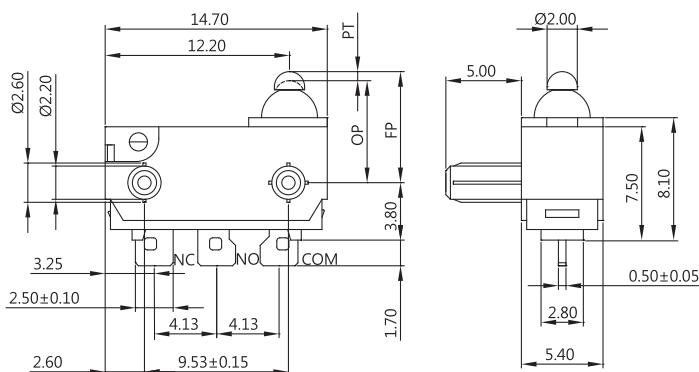


# WATER PROOF SWITCHES



## DIMENSIONS

Unless otherwise specified, a tolerance of  $\pm 0.4\text{mm}$  applies to all dimensions.



## DW SERIES

### SPECIFICATIONS

#### Contact Resistance(initial)

Max. 100 mΩ

Measured by ohm meter - open voltage <1 VDC, driver current -100 mA

#### Insulation Resistance ( at 500VDC/minute )

Min. 100MΩ

#### Dielectric Strength

Min. 150VAC(50-60HZ)/minute between Live parts.

Min. 500VAC(50-60HZ)/minute between Live parts and dead metal parts

#### Operating Temperature Range

-40°C to 85°C ( with no icing )

#### Vibration

10~55Hz, displacement 0.75 mm (p-p)

#### Electrical Service Life

SEE CERTIFICATE INFORMATION

#### Electrical Operating Frequency

10~30 operations per minute

#### Mechanical Service Life

Min. 500,000 operations

#### Mechanical Operating Frequency

120 operations per minute

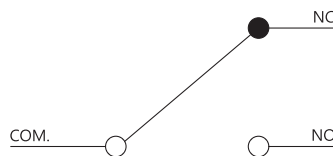
#### Operating application of the switch

Set the switch pushing distance from 60% to 90% of the specified OT value

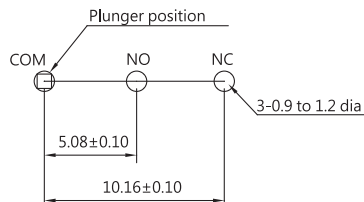
#### Degree of Protection

IP67 (excluding the terminals on terminal models)

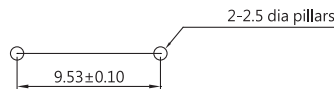
### CONTACT CONFIGURATION



### MOUNTING HOLES FOR PCB TERMINAL



### PILLAR PITCH



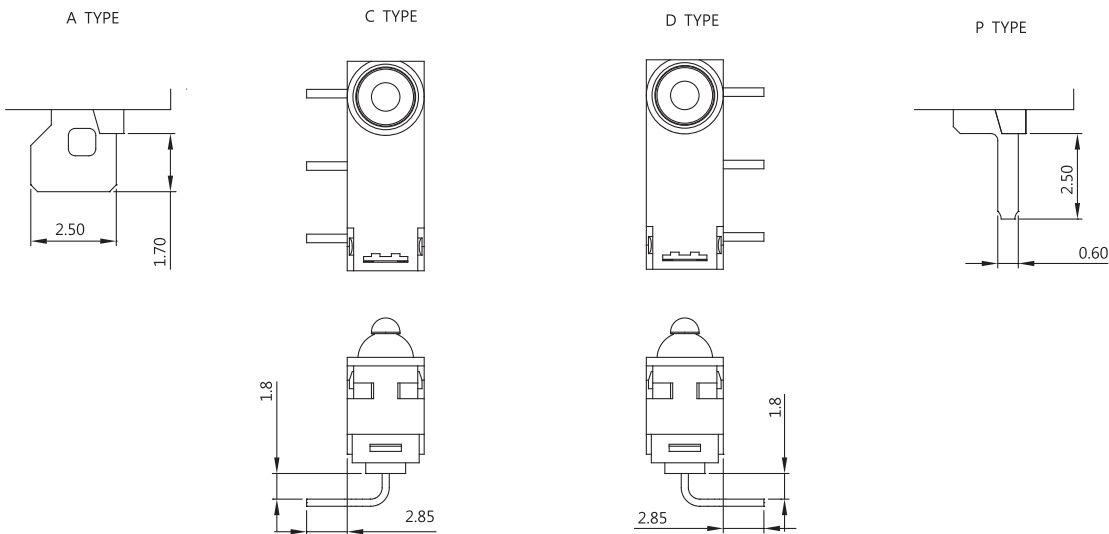
### APPLICATIONS

Automotive (Seat Belt, Door Latch, Engine Hood, Door Trunk), Air Conditioner, Communication, Security System, Electric Tooth Brush, Toy

### CERTIFICATE INFORMATION

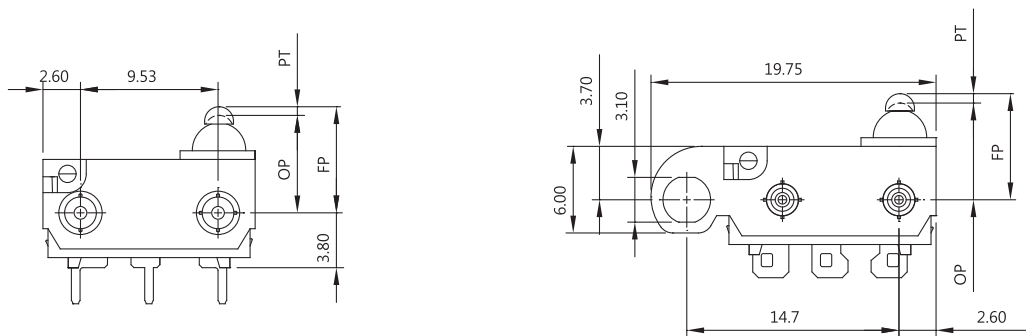
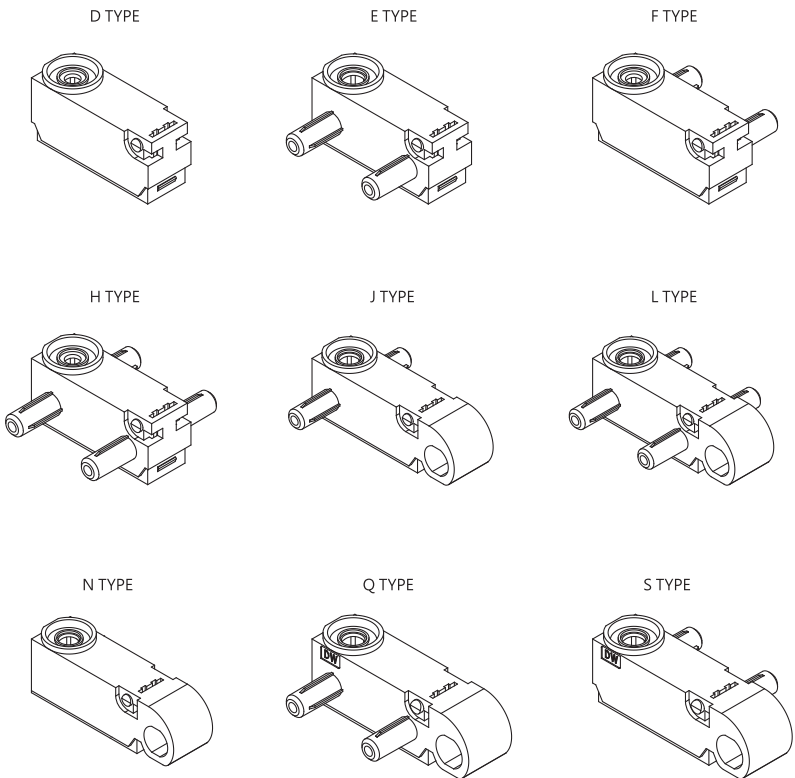
Model Name	UL, cUL	ENEC
DW-N2S	10 mA 12 VDC (Temp65°C), Min. 10,000 operations	10 mA 12 VDC, μ T55 5E5
DW-N3S	3 A 12 VDC (Temp65°C) Min. 100,000 operations 3 A 125 VAC (Temp65°C) Min. 6,000 operations 3A 24VDC (temp85°C) Min.10,000 operations	3 A 12 VDC, μ T55 1E5 3A 125VAC, μ T55 1E4

TERMINAL TYPES (THE thickness of each terminal is 0.5mm)



COVER TYPES ( PILLAR & TRAVEL TYPES )

LONG TRAVEL



## ORDERING INFORMATION

<b>D W</b>	<b>N 2</b>	<b>S</b>	<b>0 1</b>	<b>A</b>	<b>0</b>	<b>A</b>	<b>0 A</b>	<b>Z</b>
SERIES PREFIX	CODE RATING CURRENT	CODE OPERATING FORCE	CODE ACTUATOR TYPE	CODE TERMINAL TYPE	CODE CIRCUIT ARRANGEMENT	CODE PILLAR TYPE	SPECIAL CODE	ROHS CODE
	N2 10mA 12VDC (Contact Plated Gold) N3 3A 12VDC	S STANDARD	00	A C D P	0 S.P.D.T 1 S.P.S.T NO 2 S.P.S.T NC	D E F H J *L *N *Q *S		

DIMENSIONS							
CODE	L1	H	ØA	ØB	ØC	ØD	P
A	5.0	3.7	2.2	2.6	2.2	2.6	9.53
*B	3.5	3.7	2.2	2.6	2.2	2.6	9.53
*C	2.8	3.75	2.7	3.1 (THREE RIBS)	2.2	2.6	9.53
D	4.0	3.7	2.2	2.6	2.2	2.6	9.53
E	0.9	3.7	2.2	N/A	2.2	N/A	9.53
F	1.8	3.7	2.5	N/A	2.5	N/A	9.53
*G	5.0	3.7	2.4	2.8	2.4	2.8	8.0
*I	2.8	3.7	2.2	2.6	2.2	2.6	9.53

## OPERATING CHARACTERISTICS

SWITCH TYPE	PART SUFFIX	OF Max (gf)	OP (mm)	PT Max (mm)	OT Min (mm)	MD Max (mm)	FP Max (mm)	RF Min (gf)
DW- □□ S-00 □□ -Z		S	130	0.8	0.8	0.3	3.65	35
							6.75±0.2	
DW- □□ S-01 □□ -Z		S	195	3.85	1.35	0.5	7.0	55
							7.4±0.5	
DW- □□ S-04 □□ -Z		S	160	4.8	1.65	0.7	10.1	45
							9.9±0.8	

## CAUTIONS



Scan the QR code or download [https://www.zippy.com/ecodelcautions/micro\\_switch\\_cautions.pdf](https://www.zippy.com/ecodelcautions/micro_switch_cautions.pdf)