

SSJW sealed miniature micro switch



Sealing type small micro switch structure can be exchanged with SS-J series

- Through the rubber gasket sealing structure to achieve the dust and the general waterproof (IP67 IEC).
- The movable sheet can be corresponding to a single page structure, 3A AC250V is open and close, and there is also a small load type.
- Welding, #110 terminal, printed circuit boards, such as various types of terminals.

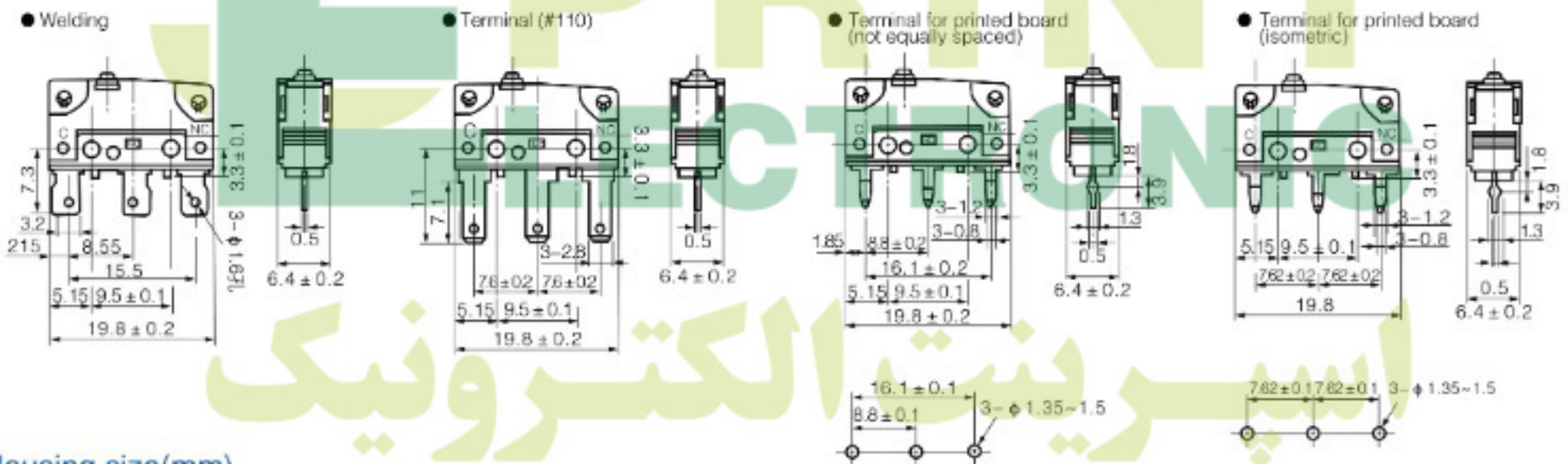


HOWTOORDER

SSJW ① ② ③ ④ ⑤

① Structure	② Operation Force	③ Actuator	④ Circuit	⑤ Contact
No: Waterproof(IP67)	3:AC250V 3A	No: Needle type button L1: Hinge Lever L2: Roller Hinge Lever L3:R Hinge Lever	No:lc(NC+NO) -2:lb(Only NC • Line guide) -3:la(Only NO • Line guide)	H: Welding T: Terminal(#110) D: Terminal for printed board (not equally spaced) B: Terminal for printed board (isometric)

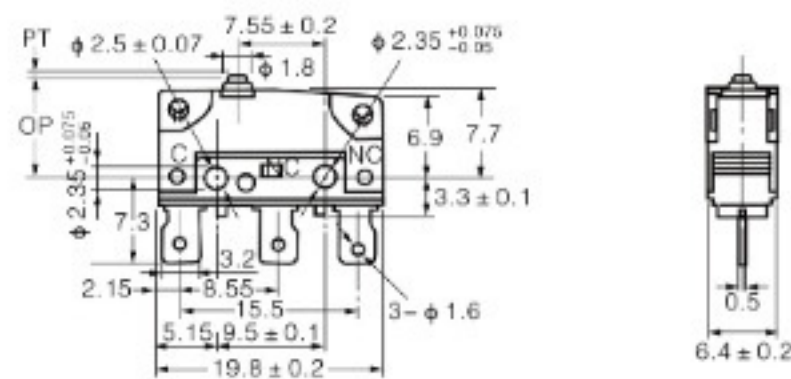
Contact Size(mm)



Housing size(mm)

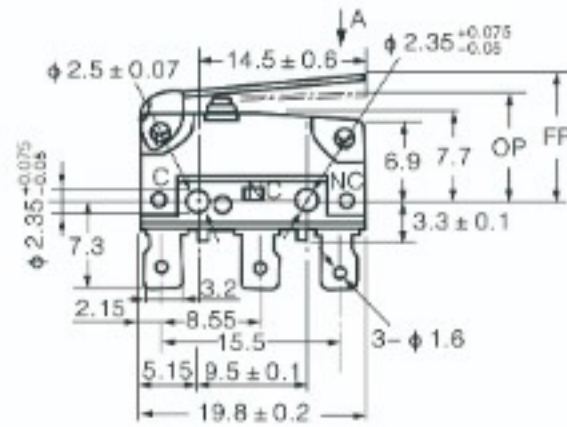
Legend, the drawings for the welding terminal. For details of the terminal (#10) and the printed circuit board, please refer to the above [■Type / shape of terminal] □ Inside the terminal specifications

Needle type button SSJW3 、SSJW01



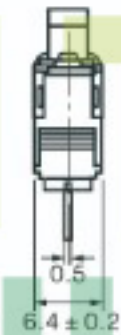
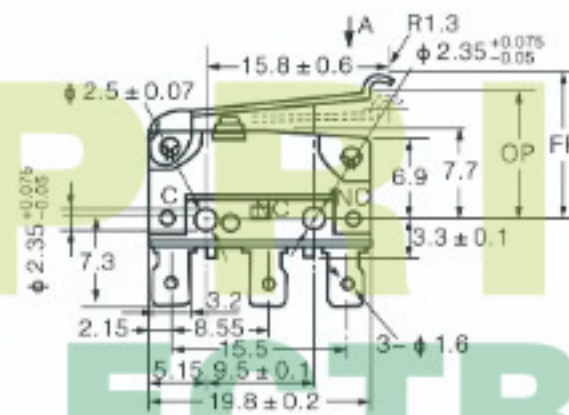
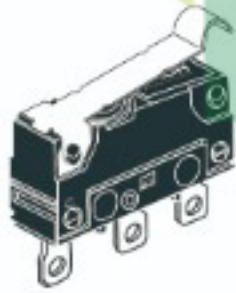
Operation Specification	Model	SSJW2 <input type="checkbox"/> <input type="checkbox"/>	SSJW1 <input type="checkbox"/> <input type="checkbox"/>
Max operation force	OF		0.8N
Min return operation force	RF		0.2N
Max Pretravel	PT		0.6mm
Min Over travel	OT		0.4mm
Poor response travel	MD		0.15mm
Free position	OP		8.4 ± 0.3mm

■ Hinge Lever SSJW3L1 □□, SSJW01L1 □□



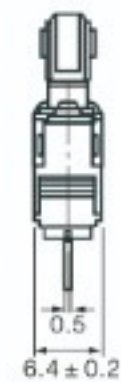
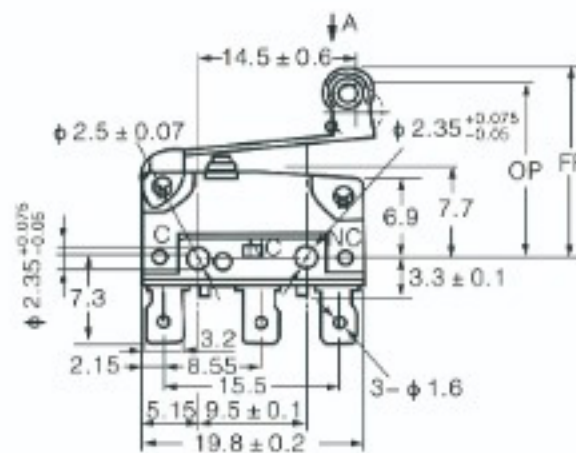
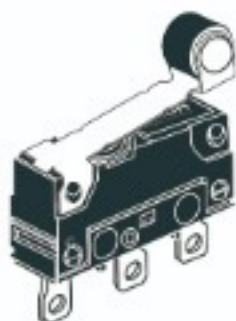
Operation Specification	Model	SSJW2 □□	SSJW1 □□
Max operation force	OF		0.6N
Min return operation force	RF		0.05N
Min Over travel	OT		0.8mm
Poor response travel	MD		0.8mm
Operation position	FP		13.6mm
Free position	OP		8.8 ± 0.8mm

■ R Hinge Lever SSJW3L3 □□, SSJW01L3 □□



Operation Specification	Model	SSJW2 -F2L3 □□	SSJW1P01L3 □□
Max operation force	OF		0.6N
Min return operation force	RF		0.05N
Min Over travel	OT		0.8mm
Poor response travel	MD		0.8mm
Operation position	FP		15.5mm
Free position	OP		10.7 ± 0.8mm

■ Roller Hinge Lever SSJW3L2 □□, SSJW01L2 □□



Operation Specification	Model	SSJW -P3L2 □□	SSJW1P01L2 □□
Max operation force	OF		0.6N
Min return operation force	RF		0.05N
Min Over travel	OT		0.8mm
Poor response travel	MD		0.8mm
Operation position	FP		19.3mm
Free position	OP		14.5 ± 0.9mm