



NNG1D SIP Series

Solid State Relay

Features:

- Slim SIP SSR
- AC/DC output, DC input
- Load current up to 5A
- Backplate heat sink for 5A



NNG1D-

1 /

032F

-38

1A

1.NNG1D series:

2.Load power supply: **0**: DC Output;

1: AC Output;

3.Control voltage: **032F**: 3-32V DC Input;

005F: 5V; **012F**: 12V; **024F**: 24V DC Input; (Only for 1-2A DC Output)

4.Load voltage: **06**: 5-60VDC; **20**: 12-200VDC; (Only for DC output)

22: 24-240VAC; **38**: 24-440VAC; (Only for AC output)

5.Rated load current: 1-2A; 3-4A; 5A

6.Special code: *******: Customer Special Requirement; **Blank**: Standard

PRODUCT CROSS REFERENCE

CLION			
NNG1D SIP series			

SPECIFICATIONS

INPUT SPECIFICATIONS

Description	NNG1D-0/005F	NNG1D-0/012F	NNG1D-0/024F	NNG1D-0/032F	NNG1D-1/032F
Control voltage range	5VDC	12VDC	24VDC	3-32VDC	3-32VDC
Control current range	5-20mA				5-20mA
Turn-On voltage max.	5VDC	12VDC	24VDC	3VDC	3VDC
Turn-Off voltage min.	1VDC				1VDC
Reverse voltage	32VDC				32VDC
Turn-On/Off time max.	5ms				10ms

OUTPUT SPECIFICATIONS

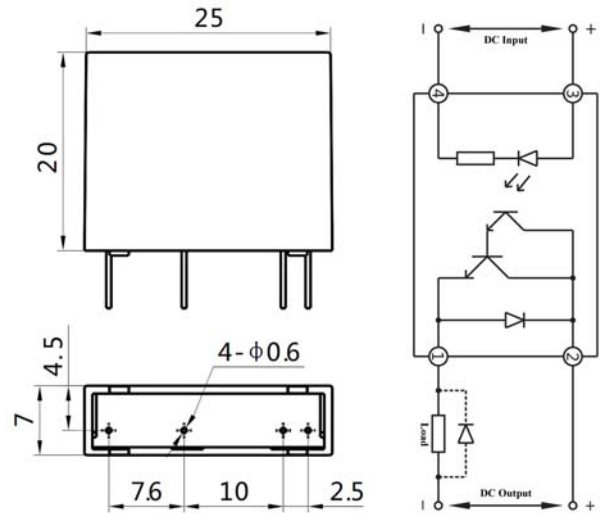
Description	NNG1D-0/005F(012F/024F)	NNG1D-0/032F	NNG1D-1/032F
Load voltage range	-06:5-60VDC -20:12-200VDC	-06:5-60VDC -20:12-200VDC	-22:24-240VAC -38:24-440VAC
Load current range	1-2A	3-4A;5A	1-2A; 3-4A;5A
Transient voltage	-06:200VDC -20:400VDC	-06:200VDC -20:400VDC	-22:600VAC -38:900VAC
On-state voltage drop max.	1.2VDC	1.2VDC	1.6VAC
Off-state leakage current max.	5mA	5mA	10mA

GENERAL SPECIFICATIONS

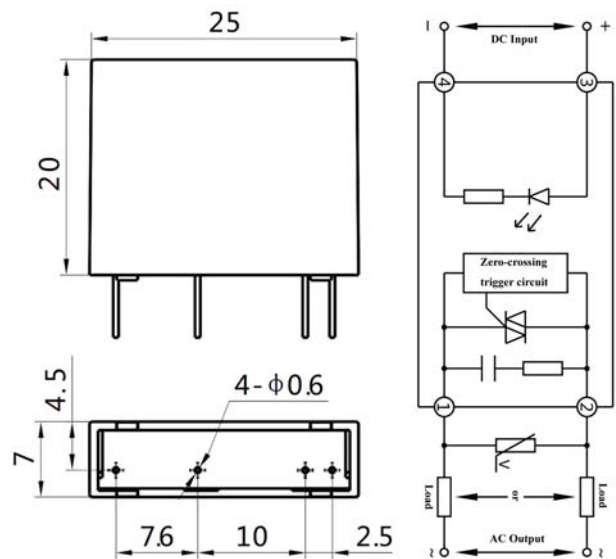
Description	Parameters
Dielectric strength	2500VAC for 1min,50-60Hz
Insulation resistance	500M Ω at 500VDC
Ambient temperature	Operating:-30°C ~ 80°C; Storage:-30°C ~ 100°C
Terminal	PCB terminals
Weight	Approx. 21g

APPEARANCE(DIMENSIONS)/ WIRING DIAGRAM(Unit: mm)

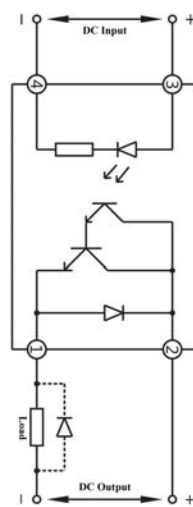
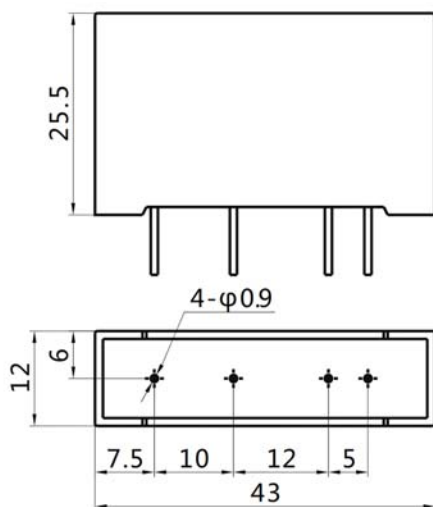
● NNG1D-0/005F(012F/024F)-06 1-2A



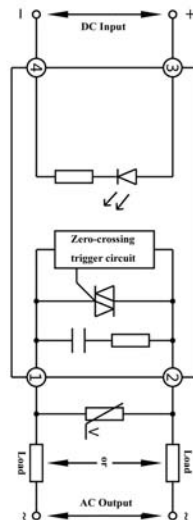
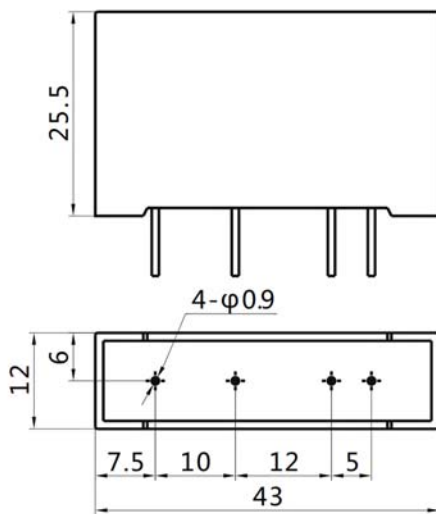
● NNG1D-1/032F-22 1-2A
NNG1D-1/032F-38 1-2A



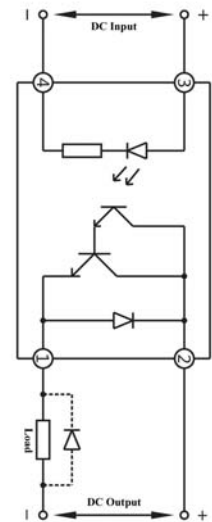
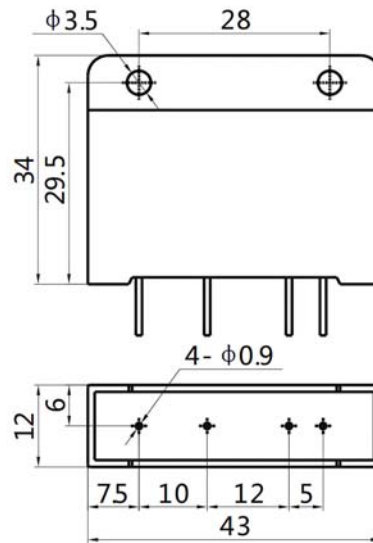
● **NNG1D-0/032F-20 3-4A**



● **NNG1D-1/032F-22 3-4A**
NNG1D-1/032F-38 3-4A

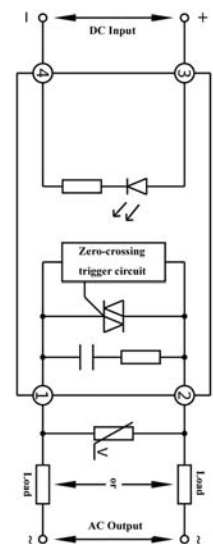
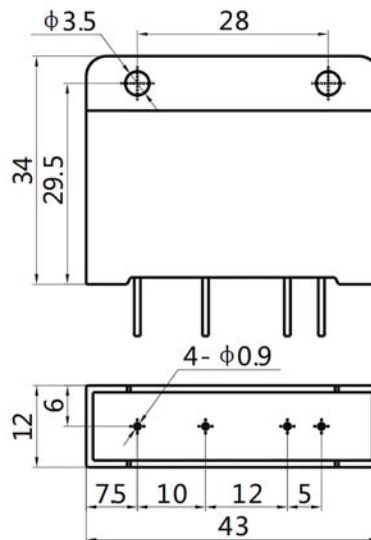


● **NNG1D-0/032F-20 5A**



● **NNG1D-1/032F-22 5A**

NNG1D-1/032F-38 5A



PACKING INFORMATION

Items	NNG1D SIP Series
Inner package	Paper box
Inner packing QTY(S/PCS)	40
Outer packing QTY(S/PCS)	560
Outer packing Dimensions(mm)	380×215×340
Net weight(KG)	12
Gross weight(KG)	13