

■ 功能Function :

1.水平倾斜检测

Horizontal tilt anti-fall detecting.

2.垂直翻转检测

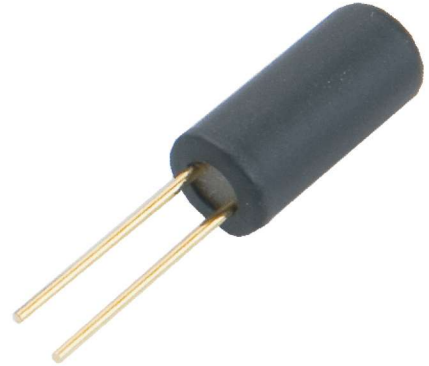
Vertical flip anti-fall detecting.

■ 应用产品Applications :

1.数码相框旋转Heating device anti-fall

2.自动化装置Electric fan anti-fall

3.家用电器Home appliances anti-fall



■ 产品特性

1、SW-520为双滚珠型倾斜感应单方向性触发开关。

SW-520 is two balls type single direction tilt sensitive trigger switch.

2、产品当向导电端（无脚端A）倾斜、倾斜角大于15度时，为开路OFF状态，当产品水平状态发生倾斜改变，触发端（镀金引脚端C）低于水平倾斜角大于15度角时，为通路ON状态。

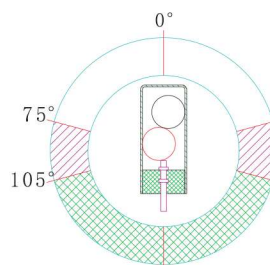
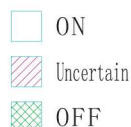
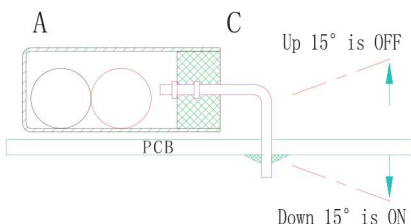
When the products tilt to the cap terminal and the tilt angle is more than 15degree, it will be a opened circuit "OFF-stated". When the products of horizontal placed tilt change, the trigger lead terminal is below the horizontal and tilt angle is more than 15degree, it will be a closed circuit "ON-stated".

3、本规格产品是完全密封式封装，可防水、防尘。

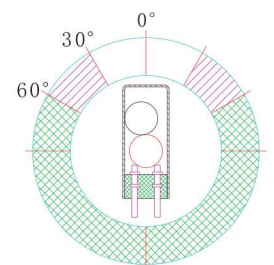
Product completely airtight, waterproof, dustproof.

4、开关信号简单、电路设计简单、价格经济。

Simple for switch signals and circuit , and economic price.



垂直PIN脚方向倾斜
(向前后倾斜)



平行PIN脚方向倾斜
(向左右倾斜)

■ 电器特性 **Electrical characteristics:**

1	电 压	Voltage:	1.5-12V
2	电 流	Current:	<20mA
3	导通时间	Conductive time:	about 2ms
4	闭路电阻	Closed resistance:	<10 ohm
5	开路电阻	Open resistance:	>10M ohm

■ 机械特性 **Mechanical characteristics :**

1	耐温	Temperature range:	Operating: -40℃ to 80℃
2	端子拉力	Pull force of terminal:	500gf for 1 minute
3	湿度	Humidity:	95% RH, 40℃ for 96 hours
4	操作寿命	Operating lifespan:	100,000 cycles

■ 材料列表 **Bill of material :**

1	铜帽	Copper cap	Brass, gold-plated
2	导针	Guide pin	Brass, gold-plated
3	滚珠	Ball	Brass / steel, silver-plated
4	封口胶粒	Guide cup	Temperature resistance nylon
5	热收缩管	Cover	PE/PET heat shrinkable tubing

■ 焊接特性 **Welding characteristics**

1. 手工焊: 330℃±10℃, 2-3秒.

Manual welding : 330℃ ± 10℃, 2-3s.

2. 波峰焊接: 260℃±10℃, 3-5秒.

Wave soldering : 260℃ ± 10℃, 3-5s.

3. 焊锡: 含锡量100%.

Solder tin: tin content 100%.

4. 不可使用强酸、碱性助焊剂.

Do not use strong acid alkali flux.

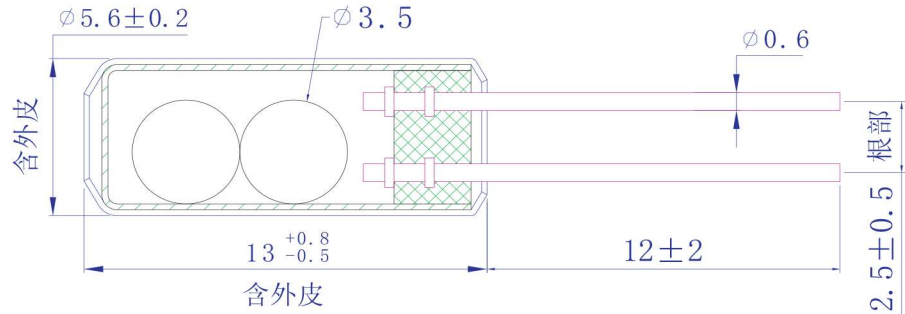
■ 包装 **Packaging:**

1000PCS/袋 (PVC塑料袋, 按一般电子料存放要求存放)

■ SIZE尺寸

Unit=mm

Tolerance: ± 0.25



■ 注意事项Note

1. 如果该产品要用于高安全性产品及耐久性极高的设备中（如生命安全设备、航空设施、防灾装置），请确认是否合用，或咨询我司了解详情。

If the product used for high security products and durability of extremely high equipment (such as life safety equipment, aviation facilities, disaster prevention device), please confirm whether a share, can seek advice our company for details.

2. 请勿超负荷使用，以防发生火灾。

In case of fire, Please do not overload applicable.

3. 焊接温度或时间超过规范时，会造成开关解体。

The welding temperature or time more than standard, can cause switch collapse.

4. 勿使用水溶性助焊剂、可能会造成开关损坏。

Do not use water solubility flux. May cause damage to the switch.

5. 勿使用溶剂清洗开关。

Do not use solvent wash switch.

6. 本开关导通率为98%以上（导通率是指开关每100次动作中，可以良好导通的比率）。

This switch conduction rate of 98% (conductivity rate per 100 times value switch actions, can good conduction ratio).